

Features

- Siphon jet urinal.
- 0.5 or 1.0 gpf (1.9 or 3.8 lpf) based on valve selected.
- Includes inlet and outlet spuds and hangers.
- Includes anit-backsplash walls.
- 14-1/2" extended rim.

Material

- Vitreous china.

Installation

- 3/4" rear spud.

Water Conservation & Rebates

- Watersense® compliant when used with WaterSense flushometer.

Components

Additional included component/s: 3/4" Inlet Spud, 2" Outlet Spud, and Hanger (2 Required).



ADA

Codes/Standards





ASME A112.19.2/CSA B45.1
DOE - Energy Policy Act 1992
EPA WaterSense®
ADA
ICC/ANSI A117.1

KOHLER® One-Year Limited Warranty

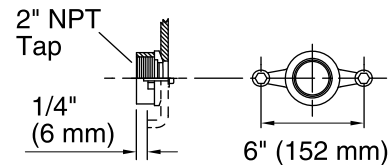
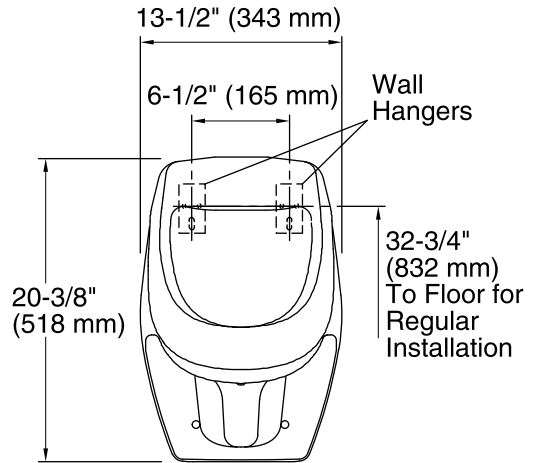
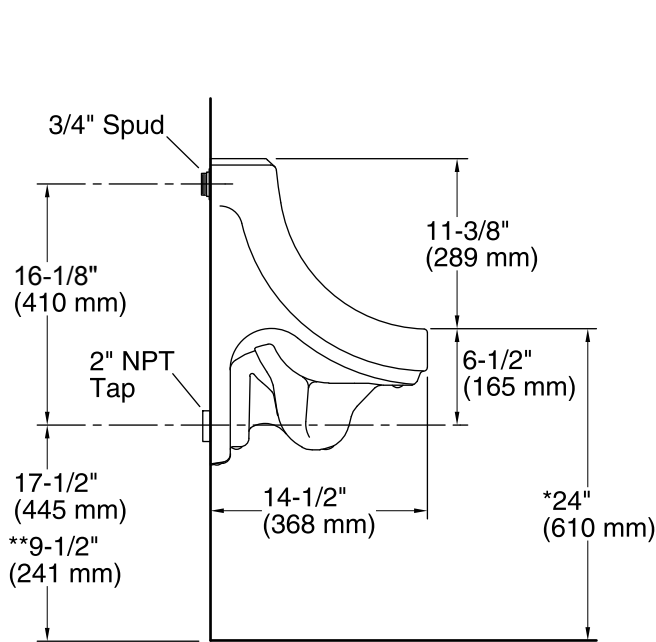
See website for detailed warranty information.

Available Color/Finishes

Color tiles intended for reference only.

Color	Code	Description
	0	White
	96	Biscuit
	47	Almond
	7	Black Black™

*Urinal complies with ADA requirement when installed per Section 605 of the Act.
**Recommended outlet height for ADA compliance.



Spud Detail

Technical Information

All product dimensions are nominal.
Flush outlet technology: Siphon jet
Spud size: 3/4", outlet, Rear
Max. Water per Flush: 0.5 gal (1.9 L)

Notes

Install this product according to the installation guide.
Refer to manufacturer's instructions and local codes for flushometer requirements.
ADA compliant when installed to the specific requirements of these regulations.