

# Model 266 & 267

## Submersible Sewage or Dewatering Pumps

### Features:

- Split phase or 3 phase
- 1/2 hp 115-460 V
- Performance up to 21.5' (6.6 m)
- Flows up to 128 GPM (484 LPM)
- Cast iron cap, motor housing, and pump housing
- Cast iron or engineered plastic base
- Non-clogging vortex impeller
- Corrosion-resistant, powder coated epoxy paint

**100% factory tested**



Trusted. Tested. Tough.®

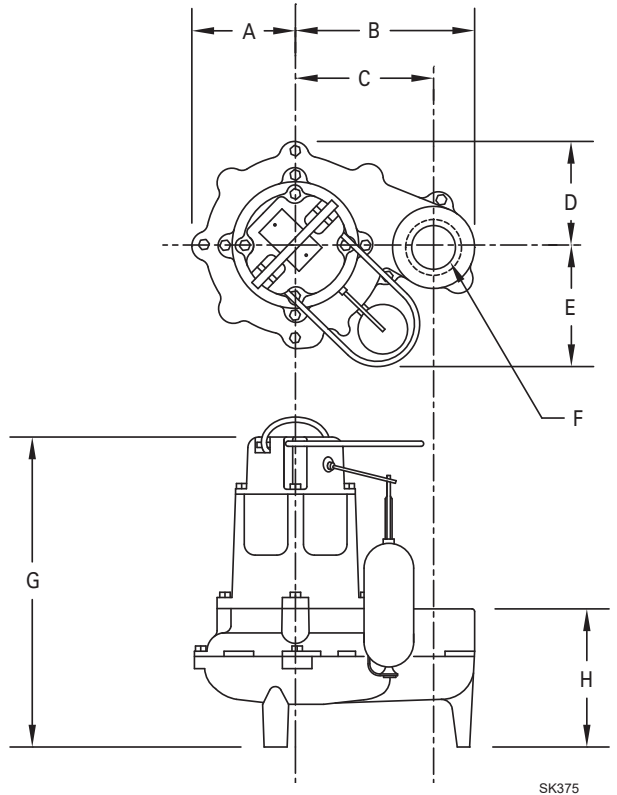
zoellerpumps.com 800-928-7867  
3649 Cane Run Road, Louisville, KY 40211 USA



FM3121  
0720  
Supersedes  
0420

## PRODUCT SPECIFICATIONS

<b>MOTOR</b>	Horse Power	1/2
	Voltage	115 - 460
	Phase	1 or 3 Ph
	Hertz	60 Hz
	RPM	1725
	Type	Split phase or 3 Ph
	Insulation	Class B
	Amps	1.5 - 10.4
	<b>PUMP</b>	Operation
Auto On/Off Points		12" (30 cm) / 4" (10 cm)
Discharge Size		2" female or 3" NPT male
Solids Handling		2" (50 mm) spherical solids
Cord Length		10' (3 m) automatic or 15' (5 m) nonautomatic
Cord Type		UL listed neoprene cord and plug
Max. Head		21.5' (6.6 m)
Max. Flow Rate		128 GPM (484 LPM)
Max. Operating Temp.		130 °F (54 °C)
Cooling		Oil filled
Motor Protection		Auto reset thermal overload (1 Ph)
<b>MATERIALS</b>		Cap
	Motor Housing	Cast iron
	Pump Housing	Cast iron
	Base	Cast iron or engineered plastic
	Upper Bearing	Sleeve bearing
	Lower Bearing	Sleeve bearing
	Mechanical Seals	Carbon and ceramic
	Impeller Type	Non-clogging vortex
	Impeller	Engineered plastic w/ metal insert
	Hardware	Stainless steel
	Motor Shaft	AISI 1215 cold rolled steel
	Gasket	Neoprene
	Min. Basin Size	Simplex: 18" x 30" (45.7 x 76.2 cm) Duplex: 30" x 36" (76.2 x 91.4 cm)

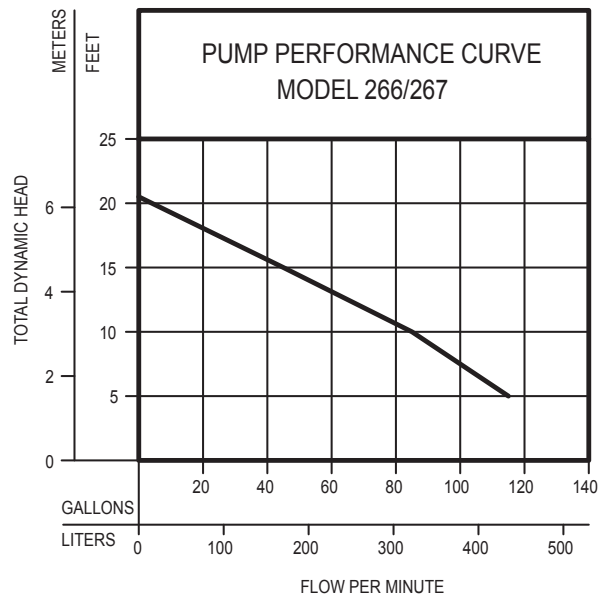


SK375

NOTE: The sizing of effluent systems normally requires variable level float(s) controls and properly sized basins to achieve required pumping cycles or dosing timers with nonautomatic pumps. See model comparison chart for specific details.

MAY BE USED IN THOSE STATES WHERE CODES DO NOT RESTRICT SOLIDS SIZE IN EFFLUENT SYSTEMS.

MODEL		266/267	
Feet	Meters	Gal.	Liters
5	1.5	115	435
10	3.0	85	322
15	4.6	45	170
Shut-off Head:		20.5 ft.(6.2 m)	



009971



© Copyright 2020 Zoeller® Co. All rights reserved.

502-778-2731 | 800-928-7867 | 3649 Cane Run Road | Louisville, KY 40211-1961 | zoellerpumps.com