



Product information presented here reflects conditions at time of publication. Consult factory regarding discrepancies or inconsistencies.

**PUMP COMPANY**

Zoeller Family of Water Solutions™

MAIL TO: P.O. BOX 16347 • Louisville, KY 40256-0347  
 SHIP TO: 3649 Cane Run Road • Louisville, KY 40211-1961  
 (502) 778-2731 • 1 (800) 928-PUMP • FAX (502) 774-3624

visit our web site:  
[www.zoeller.com](http://www.zoeller.com)

**COMPARE THESE FEATURES**

- Float is constructed of durable PVC/polypropylene encasing variable level switch
- Standard mechanical variable level control switches are rated for 115/230 V, 5 Amps
- Low current mechanical variable level control switches are rated for 125 VAC/30 VDC, 0.1 Amps
- 18/2 Type SJOW CPE cord standard
- Cords are available in 15-25-35-50 foot lengths
- Temperature rating of 140°F (60°C)
- Approximately 1.5" liquid level differential in switching action

**Variable Level Control Switch** is normally open when hanging vertically above liquid level. Switch closes when it reaches a few degrees above the horizontal position.

**APPLICATIONS**

- Switch for simplex or duplex pump control and high level alarm on electrical alternating control panel systems for dewatering, effluent and sewage applications.
- Switch for APak® (use low current models)
- High level alarm switch

**ADJUSTABLE WEIGHT:** (P/N 10-0689) provides an accurate pivot point for suspended float switches.

- Gripper teeth on clip and weight channel securely lock float cable into place.
- Cable weight can be adjusted without the use of tools.

**HOUSING:** 1lb 12oz. (0.8 kg) 2.8" x 3.3" (7.1 cm x 8.4 cm)  
 Impact-resistant & non-corrodible, PVC housing for liquids up to 140° F (60° C)

**CLIP:** injection-molded acetal plastic

**WIRE/CABLE ACCOMODATED:** SJOW, SJTW, 18/2, 18/3, 16/3, 14/2, 14/3

**SHIP WEIGHT:** 2 lbs. (32 oz)

## VARIABLE LEVEL CONTROL SWITCHES

**CLAMP TYPE**                      **ADJUSTABLE WEIGHT TYPE**

May not be exactly as pictured. See back for application drawings.



FLOAT SWITCHES			
Mechanical		Cord Length	Mounting Method
Standard P/N*	Low Current P/N**		
10-0743	10-2060	15	Clamp
10-0744	10-2061	20	Clamp
10-1877	10-2062	25	Clamp
10-1878	10-2063	35	Clamp
10-1879	10-2064	50	Clamp
10-1880	10-2065	15	Adjustable Weight
10-1881	10-2066	25	Adjustable Weight
10-1882	10-2067	35	Adjustable Weight
10-1883	10-2068	50	Adjustable Weight

FLOAT SWITCH TREES			
Mechanical		Cord Length	Mounting Method
Standard P/N*	Intrinsically Safe P/N**		
10-1456	10-1456	---	Tree Only
10-1886	10-2069	15	(3) 15' Floats & Tree
10-1887	10-2070	15	(4) 15' Floats & Tree

\* Do not use with intrinsically safe control systems.  
 \*\* For use with intrinsically safe control systems only.

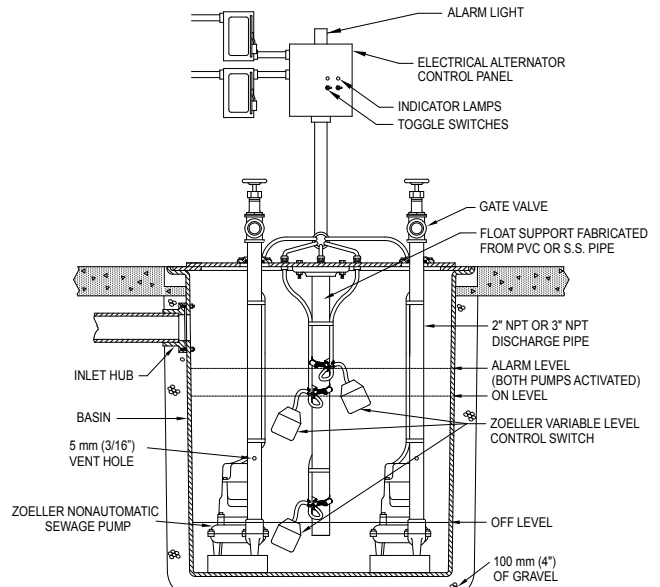
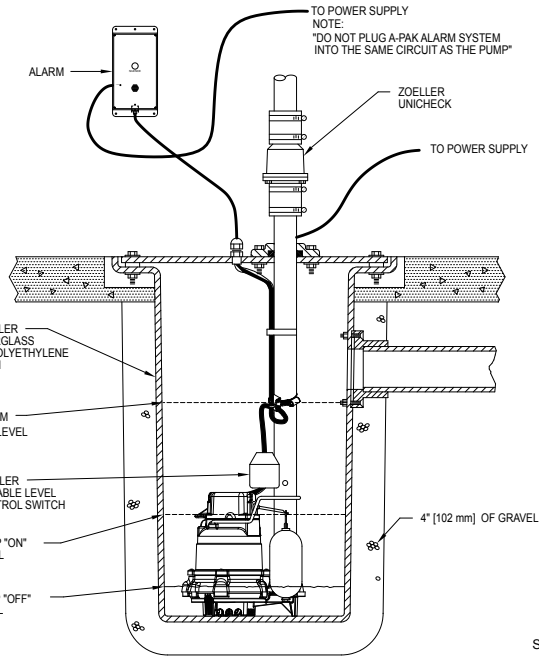
# TYPICAL APPLICATIONS

## SIMPLEX SYSTEM

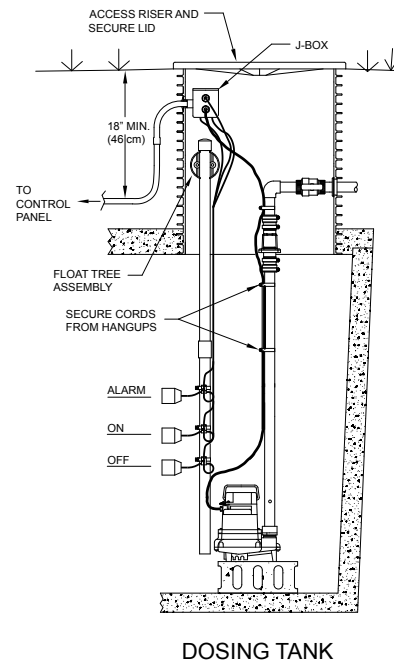
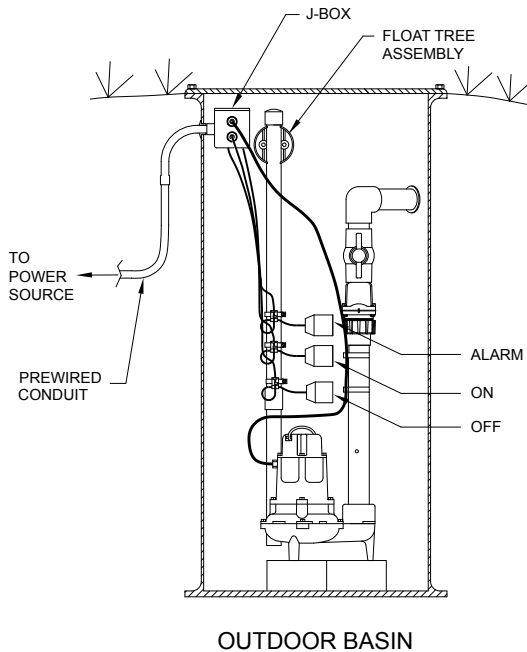
Switch for APak®, High Level Alarm Switch.

Voltage	APak®	Variable Level Control Switch
115 V	10-4012	10-0743

## DUPLEX ELECTRICAL ALTERNATING SYSTEM



## FLOAT TREE ASSEMBLIES



For information on additional Zoeller products refer to catalog on Electrical Alternator, FM0486; Single Phase Simplex Control/Alarm Systems, FM0732; and Simplex Controller, FM0731.



**WARNING** All electrical systems must be installed by a qualified licensed electrician according to the National Electrical Code.



**PUMP COMPANY**

MAIL TO: P.O. BOX 16347 • Louisville, KY 40256-0347  
SHIP TO: 3649 Cane Run Road • Louisville, KY 40211-1961  
(502) 778-2731 • 1 (800) 928-PUMP • FAX (502) 774-3624

Your Peace of Mind is Our Top Priority®

visit our web site:  
[www.zoeller.com](http://www.zoeller.com)