

25" x 19" Oval Vanity Top

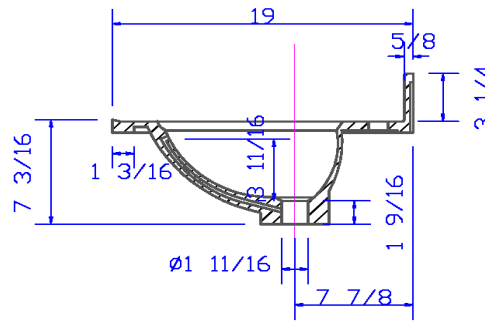
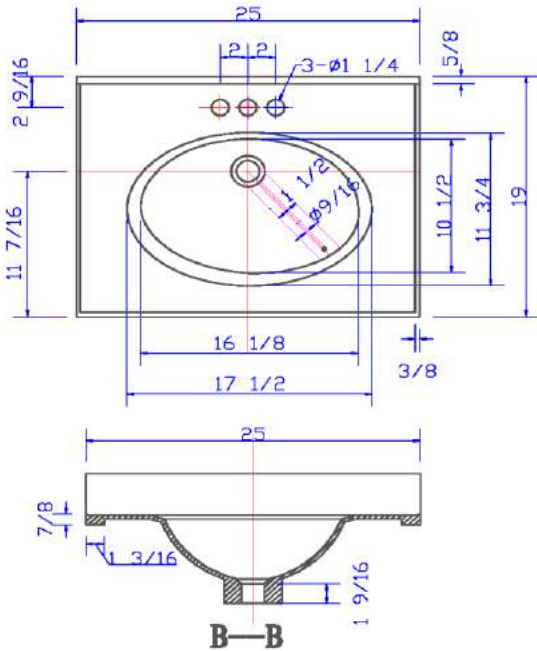


Specifications

- Material Content:** Cultured Marble (Stone filler, Resin and Gel coat)
- Back splash:** Integrated, 3-1/4" high, 5/8" thick
- Faucet Holes:** 3x D1 1/4" holes, 4" center mount
- Overflow Hole** with, D9/16"
- Drain Hole** with, D1 -1/2"
- Water Depth** 3- 11/16"
- Bowl** 16 1/8" width, 10-1/2" depth
- Color:** Solid White / White on White / White on Bone



Dimensions



Tolerance		
	+	-
Length	0	7/16"
Width	0	1/4"
Thickness	1/16"	1/16"

Warranty & Compliances

- Warranty:** 5 Year Limited Warranty
- IAPMO/ UPC:** Complaint
- CSAB45:** Complaint
- ANSI:** ANSI Z124.3 compliant



Order Codes & Finishes/Colors

	View Box	Sleeve Pack
Solid White	551267	552000
White on white	551051	552794
White on Bone	551101	552273

Type:

Job:

Order Code:

Approvals: