



PVC Floor Sinks

Product Features

- General service drainage
- Commercial applications
- For light traffic areas
- Can withstand water temperatures up to 160°F

Model Numbers

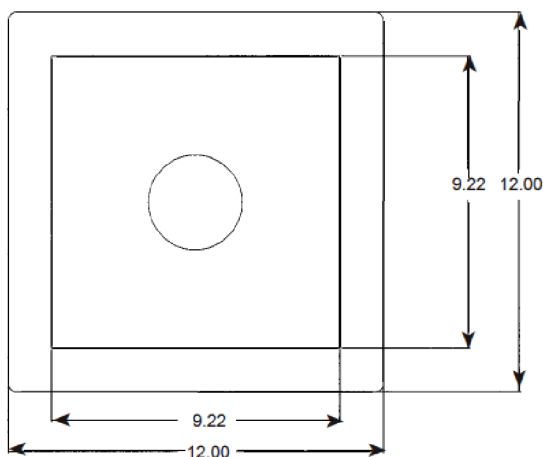
	A
PF42855	2.00" spigot
PF42856	3.00" spigot
PF42857	4.00" spigot



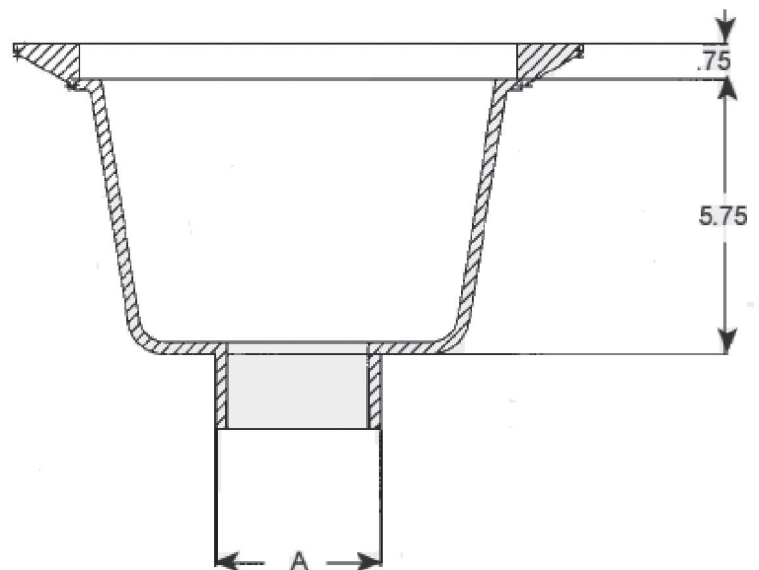
PF42855

Available Grates

- PF42858 - Full Grate
- PF42895 - Half Grate
- PF42896 - Three Quarter Grate



Top View



Warranty and Codes

This PROFLO product carries a 1-year limited warranty. All Dimensions and Materials meet ASTM D2665. Made in the USA

