



Instruction Sheet

SR501-4 Switching Relay

102-375

SUPERSEDES: New

EFFECTIVE: May 1, 2010

Plant ID# 9300-2865

Features:

- External Indicator Lights
- Universal Replaceability
- Snap-in PC Board
- Simplified Wiring
- Sealed Relays
- Fuse Protected Outputs
- 100% Factory Tested
- Contractor Friendly PC Board Layout
- Universal Thermostat Compatibility
- UL Approved
- Extended 3 Year Warranty
- Made in the USA

Operation:

Connect a thermostat to the "T T" terminals on the switching relay. When the thermostat calls for heat, the relay is energized and power is given to the circulator.

Power Input:

Connect 120 volt ac power to terminals N and H.

Jumper Placement:

The jumper is factory installed between terminals H and 3 to switch power on terminals 4 n/o and 4 n/c.

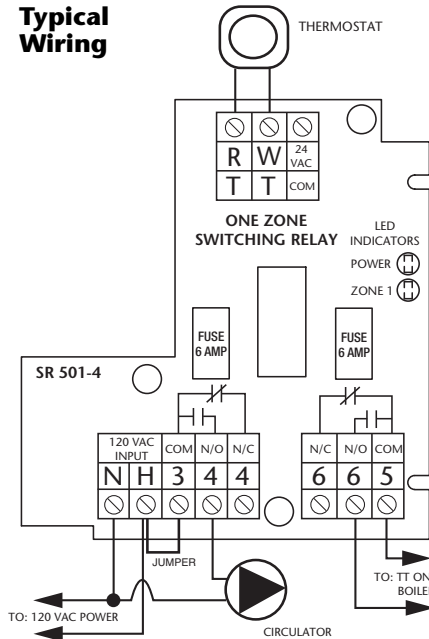
External Diagnostics:

The External lights show full functionality of the switching relay. The green light should always be on, indicating that power is connected. When the thermostat calls for heat, both the appropriate circulator and red indicating light is energized.

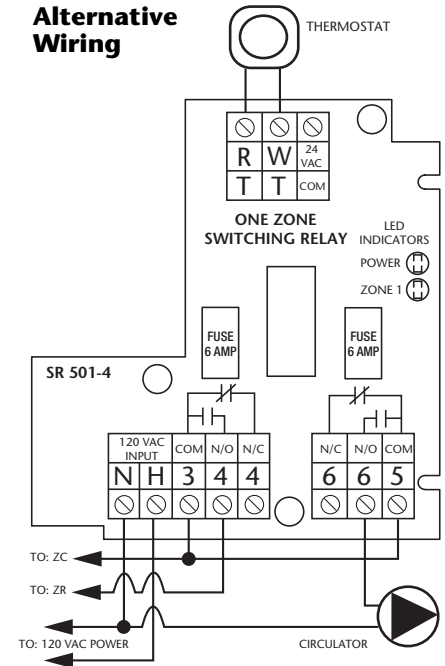
The Taco Connection:

Combine the reliability of the Taco Zone Valves, Priority Zoning Circulators, Thermostats, and the "00" family of circulators with the advanced features of the Taco Zone Controls to achieve total system integration. No matter the application, Taco now provides the products to maximize system performance while simplifying both installation and service.

Typical Wiring



Alternative Wiring



NOTE: When using Alternative Wiring diagram, the boiler operating control's ZC terminal will see the load of the circulator(s).

WARNING: When using Alternative Wiring diagram, wiring instructions must be followed so power originates from the boiler aquastat. Failure to follow these wiring instructions may result in a secondary source of power being connected to the boiler that may activate it under certain circumstances, causing injury or death.

WARNING: Wiring connections must be made in accordance with all applicable electrical codes. Use copper wire only. 120 VAC wiring must have a minimum temperature rating of 75°C. Failure to follow this instruction can result in personal injury or death and/or property damage. 12-18 gauge wire recommended for 120 VAC connections, 14-22 gauge wire for thermostat connections, and 14-22 gauge wire for 24 VAC source connections.

Specifications:

PRODUCT NUMBER	NUMBER OF ZONES	INPUT VOLTAGE	MAXIMUM COMBINED LOAD	TYPE 1 ENCLOSURE WIDTH	HEIGHT	DEPTH
SR501-4	1	120/60/1 VAC	12 amps	4 7/8"	6 7/8"	2 7/8"

All circulator relay connections, including ZC/ZR, are rated 1/3 hp (6 FLA, 36 LRA) at 120 VAC. The thermostat connection supplies a 24 VAC class 2 output.

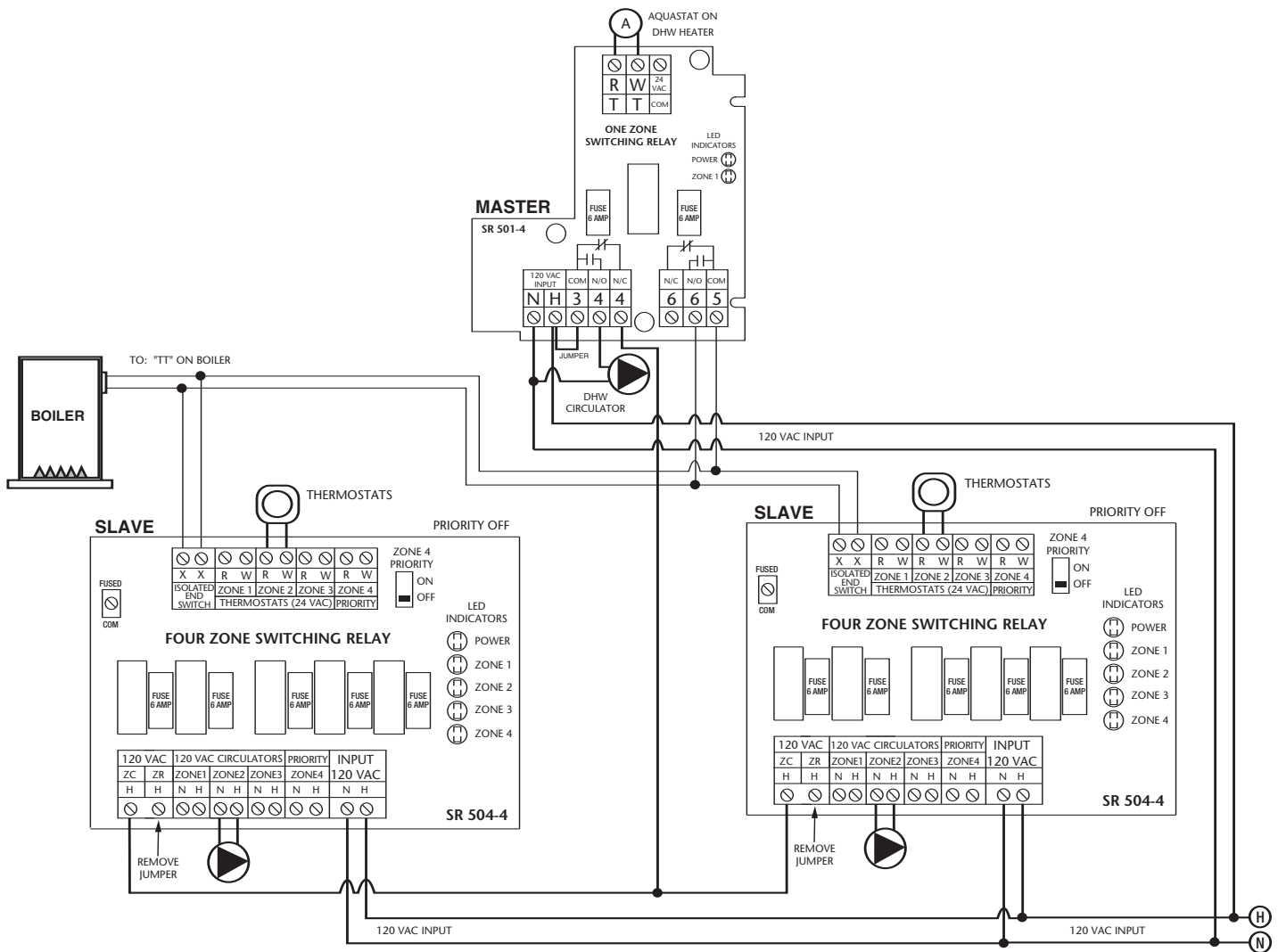
TACO SR501-4 REPLACEMENT CROSS-REFERENCE												
MANUFACTURER	MODEL	CONNECTIONS										
Taco	SR501-4	H	N	3	4 NO	4 NC	5	6 NO	6 NC	R/T	W/T	C
Argo	AR821	1	2	3	4		5	6		T		
	AR822	L1	L2	3	4 NO	4 NC	5	6 NO	6 NC	R/T	G/T	C
Colombus	MR10	L1	L2	3	4 NO	4 NC	5	6 NO	6 NC	R/T	G/T	C
Erie	SR100	L1	N	3	4 NO	4 NC	5	6 NO	6 NC	R/T	G/T	C
Honeywell	RA89A	1	2	3	4					T	T	
	RA832A	1	2	3	4		X	X		T	T	
	R845A	1	2	3	4		5	6		T	T	
White-Rogers	889-189	1	2	3	4					T	T	
	829-845	1	2	3	4		5	6		T	T	

Terminal Description:

- T & T Thermostat Connection
- COM Common side of transformer, to power some setback thermostats
- N Neutral wire of power input
- H Hot wire of power input
- 3 Common terminal for 4 n/o and 4 n/c
- 4 n/o Normally open terminal
- 4 n/c Normally closed terminal
- 6 n/c Normally closed terminal
- 6 n/o Normally open terminal
- 5 Common terminal for 6 n/o and 6 n/c

This device complies with part 15 of the FCC Rules. Operation is subject to the following two conditions: (1) This device may not cause harmful interference, and (2) this device must accept any interference received, including interference that may cause undesired operation.

SR501 Switching Relay Controlling 2 SR504/506 Switching Relays



LIMITED WARRANTY STATEMENT

Taco, Inc. will repair or replace without charge (at the company's option) any product or part which is proven defective under normal use within three (3) years from the date of start-up or three (3) years and six (6) months from date of shipment (whichever occurs first).

In order to obtain service under this warranty, it is the responsibility of the purchaser to promptly notify the local Taco stocking distributor or Taco in writing and promptly deliver the subject product or part, delivery prepaid, to the stocking distributor. For assistance on warranty returns, the purchaser may either contact the local Taco stocking distributor or Taco. If the subject product or part contains no defect as covered in this warranty, the purchaser will be billed for parts and labor charges in effect at time of factory examination and repair.

Any Taco product or part not installed or operated in conformity with Taco instructions or which

has been subject to misuse, misapplication, the addition of petroleum-based fluids or certain chemical additives to the systems, or other abuse, will not be covered by this warranty.

If in doubt as to whether a particular substance is suitable for use with a Taco product or part, or for any application restrictions, consult the applicable Taco instruction sheets or contact Taco at [401-942-8000].

Taco reserves the right to provide replacement products and parts which are substantially similar in design and functionally equivalent to the defective product or part. Taco reserves the right to make changes in details of design, construction, or arrangement of materials of its products without notification.

TACO OFFERS THIS WARRANTY IN LIEU OF ALL OTHER EXPRESS WARRANTIES. ANY WARRANTY IMPLIED BY LAW INCLUDING WARRANTIES OF MERCHANTABILITY OR FIT-

NESS IS IN EFFECT ONLY FOR THE DURATION OF THE EXPRESS WARRANTY SET FORTH IN THE FIRST PARAGRAPH ABOVE.

THE ABOVE WARRANTIES ARE IN LIEU OF ALL OTHER WARRANTIES, EXPRESS OR STATUTORY, OR ANY OTHER WARRANTY OBLIGATION ON THE PART OF TACO.

TACO WILL NOT BE LIABLE FOR ANY SPECIAL, INCIDENTAL, INDIRECT OR CONSEQUENTIAL DAMAGES RESULTING FROM THE USE OF ITS PRODUCTS OR ANY INCIDENTAL COSTS OF REMOVING OR REPLACING DEFECTIVE PRODUCTS.

This warranty gives the purchaser specific rights, and the purchaser may have other rights which vary from state to state. Some states do not allow limitations on how long an implied warranty lasts or on the exclusion of incidental or consequential damages, so these limitations or exclusions may not apply to you.

Do it Once. Do it Right.®

TACO, INC., 1160 Cranston Street, Cranston, RI 02920 Telephone: (401) 942-8000 FAX: (401) 942-2360.
TACO (Canada), Ltd., 8450 Lawson Road, Unit #3, Milton, Ontario L9T 0J8. Telephone: 905/564-9422. FAX: 905/564-9436.
 Visit our web site at: <http://www.taco-hvac.com>

Printed in USA
 Copyright 2010
 TACO, Inc.