



Electric Mini Tank Water Heaters

EMT 1 – EMT 2.5 – EMT 4 – EMT 6



Installation and Operating Instruction Manual

Table of Contents

Important Safety Instructions	2
Technical Data	3
General Information	5
Technical Description	6
Installation Instructions	6
Plumbing Connections	7
Temperature & Pressure Relief Valve	7
Filling the Water Heater	9
Electrical Connections	10
Instructions For Use	11
Maintenance Instructions	12
Trouble Shooting	15
Schematic Disassembly & Parts List	16
Warranty	17

IMPORTANT SAFETY INSTRUCTIONS

WARNING: When using electrical appliances, safety precautions to reduce the risk of fire, electric shock or injury to persons should be followed, including:

1. **READ ALL INSTRUCTIONS BEFORE USING THIS WATER HEATER.**
2. This water heater must be grounded. Connect only to properly grounded power supply. See "GROUNDING INSTRUCTIONS" found on page 10.
3. Install or locate this water heater only in accordance with the provided installation instructions.
4. Use this water heater only for its intended use as described in this manual.
5. Do not use an extension cord set with this water heater. If no receptacle is available adjacent to the water heater, contact a qualified electrician to have one properly installed.
6. As with any appliance, close supervision is necessary when used by children.
7. Do not operate this water heater if it has damaged electrical connections, if it is not working properly, or if it has been damaged or dropped.
8. This water heater should be serviced only by qualified service personnel. Contact nearest authorized service facility for examination, repair, or adjustment.

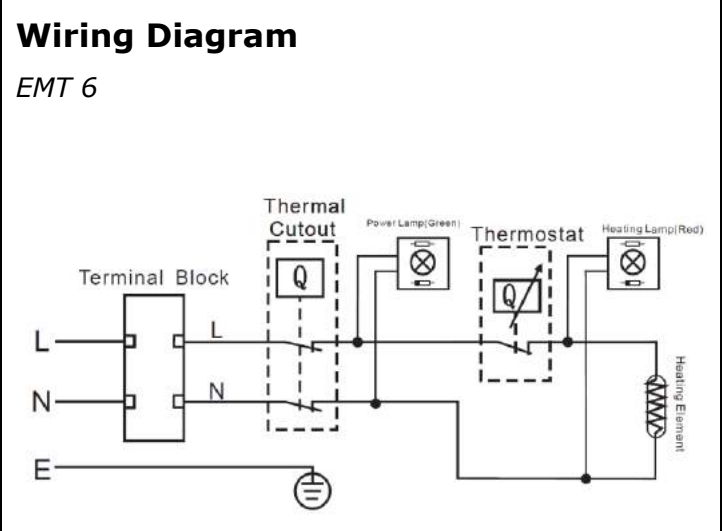
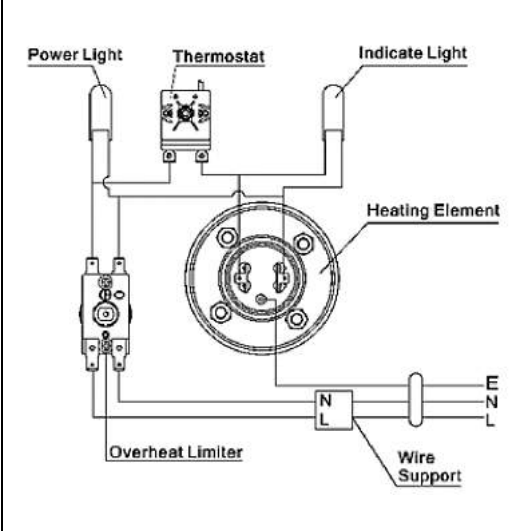
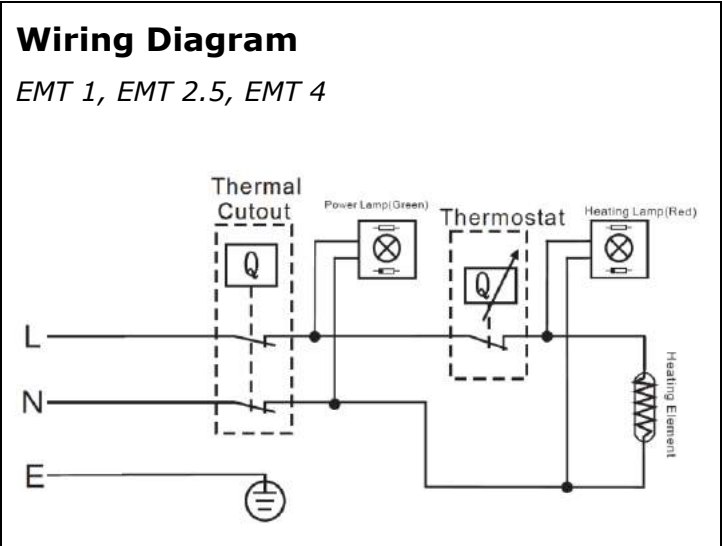
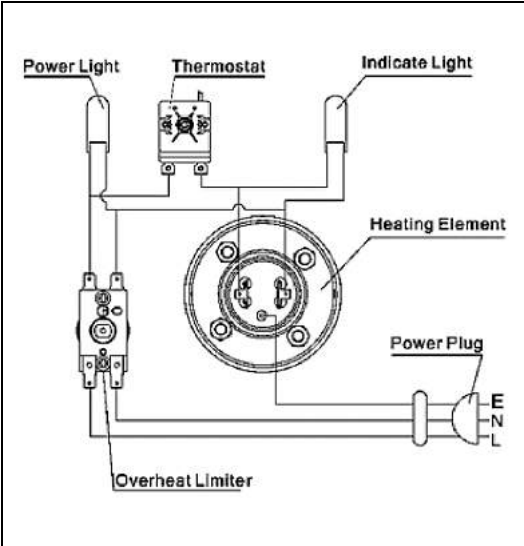
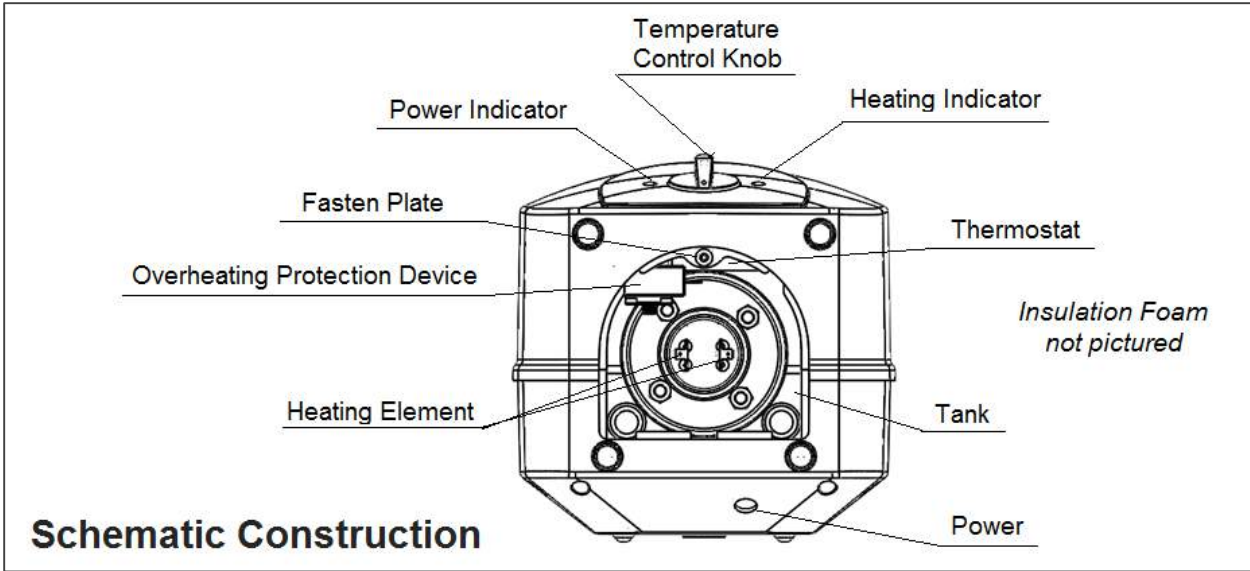
SAVE THESE INSTRUCTIONS

The manufacturer and/or distributor is not responsible for damages caused by improper installation, or by non-observance of the instructions in this manual.

A QUALIFIED, LICENSED TECHNICIAN MUST ALWAYS INSTALL THE WATER HEATER AND CONDUCT ALL SUBSEQUENT SERVICE WORK AND/OR MAINTENANCE.

IMPORTANT!!!

NEVER TURN THE WATER HEATER POWER ON UNTIL THE TANK IS COMPLETELY FULL AND WATER IS FLOWING OUT OF THE HOT WATER FAUCET.



GENERAL INFORMATION

The Eemax Mini Tank water heaters can be used in most under the counter, point of use applications. EMT models are designed to supply hot water for all hand wash and kitchen sinks.

EMT models can replace traditional central hot water heaters thereby conserving water and reducing energy waste.

The Eemax Mini tank water heaters are lightweight and compact and manufactured for easy installation. EMT models are designed to be mounted on the wall.

EMT models are designed to operate at 150 psi maximum water pressure.

CAUTION!: The manufacturer cannot be responsible for the damage caused by improper installation or by failure to follow instructions in this manual. Comply with the Installation Instructions before connecting to electrical supply.

CAUTION!: The thermostat has been pre-set at the factory between 50°F (10°C) and 140°F (60°C).

CAUTION!: Hydrogen gas can be produced in a hot water system served by this heater that has not been used for a long period of time (generally 2 weeks or more). Hydrogen gas is extremely flammable. To reduce the risk of injury under these conditions, it is recommended that the hot water faucet be opened for several minutes at the nearest and most distant sink being served by this water heater before using any electrical appliance connected to the hot water system i.e. Dishwasher. If hydrogen gas is present, there will probably be an unusual sound such as air escaping through the faucet as the water begins to flow. There should be no smoking or open flame near the faucet at this time.

WARNING: Installer should review the contents of this manual with the owner upon completion of the installation, and the manual should remain with the owner and placed in a location close to the water heater.

TECHNICAL DESCRIPTION

There are four Eemax Mini tank models, a 1.5 gallon, a 2.5 gallon, a 4 gallon and a 6 gallon model. The pressure vessel (water tank) is welded, glass lined steel and is equipped with an anode rod.

The water heater is equipped with a thermostat and a high limit temperature switch. A temperature/pressure relief valve is supplied with the unit.

INSTALLATION INSTRUCTIONS

EMT 1 - EMT 2.5 - EMT 4 - EMT 6

The installation must be completed by a licensed professional. All state and local codes must be adhered to. The manufacturer will not be liable for any damages because of failure to comply with these installation instructions or because of improper installation performed by an unqualified installer.

CHOOSE A LOCATION that allows ease of access for maintenance or servicing, ideally installed at least 8" to 9" from the ceiling (inside top of cabinet) or any adjacent walls.

WALL MOUNTING

Fasten the supplied mounting bracket to the wall. Use screws that are suitable for the wall material and the weight of the water heater filled to capacity (EMT 1 = 25 lbs. - EMT 2.5 = 37 lbs. - EMT 4 = 52 lbs. - EMT 6 = 80 lbs.). Hang the water heater on the bracket and pull downwards on the water heater to insure that both "fingers" of the bracket are seated in the mounting slots. Confirm your water piping orientation (hot and cold) before wall mounting. **ONLY INSTALL IN VERTICAL POSITION.**

Heater can sit on the floor. Confirm water piping orientation before finalizing on floor. **ONLY INSTALL IN VERTICAL POSITION! EMT models can be installed under the sink.**

PLUMBING CONNECTIONS

Connect the cold water inlet pipe to the inlet nipple (marked with a blue ring) and the hot water outlet pipe to the outlet nipple (marked with a red ring).

IMPORTANT: If Water pipes are copper or bronze, use dielectric connections to prevent corrosion. Failure to provide dielectric insulation may result in premature tank or nipple failure and may void your warranty. Insure that the water heater is installed in a level position. Install a shut off valve on the cold water side of the water heater. The valve is for servicing and the valve should be in the open position when the water heater is in operation. In order to protect the water heater from heat damage due to soldering, solder a piece of tubing to a threaded UNION fitting before screwing the UNION to the tank. **DO NOT APPLY HEAT DIRECTLY TO INLET OR OUTLET CONNECTIONS.**

TEMPERATURE AND PRESSURE RELIEF VALVE:

CAUTION!: To reduce the risk of excessive pressures and temperatures in this water heater, install temperature and pressure protective equipment required by local codes, but no less than a combination temperature and pressure relief valve certified as meeting the requirements for Relief Valves and Automatic Gas Shutoff Devices for Hot Water Supply Systems, ANSI Z21.22, by a nationally recognized testing laboratory that maintains periodic inspection of production of listed equipment or materials. The valve must be oriented, provided with tubing, or otherwise installed so that discharge can exit only within 6 inches above, or at any distance below, the structural floor, and cannot contact any live electrical part.

Install a discharge pipe from the temperature/pressure relief valve terminating at a sink or drain. **DO NOT CAP OR PLUG THE END OF THE DISCHARGE PIPE. THE DISCHARGE PIPE MUST BE UNOBSTRUCTED AND FULL SIZED.**

The T/P valve is certified by a nationally recognized test lab that maintains periodic inspections of the listed equipment and meets the requirements for relief valves and automatic shut off devices for hot water supply systems ANSI Z21.22.

The T/P valve is marked with a maximum pressure, which does not exceed the maximum working pressure of the water heater (150 PSI).

Install the T/P valve into the threaded opening at the top of the water heater and orient the discharge tubing so that any discharge from the valve will exit within 6 inches above, or at any distance below the structural floor, and cannot contact any live electrical part.

T/P Valve Discharge pipe:

1. Must NOT be smaller in diameter than the outlet diameter of the valve, or have any reducing couplings.
2. Must NOT be plugged or blocked.
3. Must be made of suitable material for hot water.
4. Must not be over 15' in length.
5. Must not have more than two elbows.
6. Must terminate at an adequate drain.
7. Must not have a shut off valve between relief valve and tank or relief valve and termination of discharge.

CLOSED SYSTEM THERMAL EXPANSION: Periodic discharge of the T/P relief valve or failure of the element gasket may be due to thermal expansion in a closed water supply system. The water utility supply meter may contain a check valve, backflow preventer or water pressure reducing valve which will create a closed water system. During the heating cycle of the water heater, the heated water expands causing pressure inside the water heater to increase. The T/P relief valve may discharge hot water under these conditions which results in a loss of energy and a buildup of lime on the relief valve seat. To prevent this from happening, there are two recommendations:

1. Install a diaphragm-type domestic hot water expansion tank (suitable for potable water) on the cold water supply line. The expansion tank must have a minimum capacity of 1.5 U.S. gallons for every 50 gallons of stored water.
2. Install a 125 PSI pressure relief valve in the cold water supply line. Make sure the discharge of this valve is directed to an open drain and protected from freezing. Contact your local water utility or plumbing inspector for information on how to control this situation. Never plug the outlet of the relief valve.

FILLING THE WATER HEATER

CAUTION!: Before connecting the power, fill the tank and system with water and check for leaks. Be sure **ALL AIR IS REMOVED**.

To be sure that all air is out of the water system, open the hot water faucets on your fixtures until constant water flows from them. Otherwise any air remaining in the tank will cause the water heater element to self-destruct.

Filling the water heater:

1. Open the hot water faucet.
2. Open the cold water supply valve.
3. When continuous water flows out of the faucet, the tank is filled.
4. Close the hot water faucet.
5. Check entire system for leaks.

Using an Aerator (EMT 1 model only)

It is highly recommended that an aerator be used together with model EMT 1. The purpose of the aerator is to restrict the amount of water flow exiting the EMT 1 which allows the water heater to produce hot water for a longer duration. If the aerator is not used the 1.5 gallon capacity of the EMT 1 will be depleted quickly.

ELECTRICAL CONNECTIONS

To be certain that all of the air is out of the water heater, open the HOT water faucet on your fixtures until constant water flows from them. If air remains in the tank, the element will be damaged when connected to power.

Connect the water heater to a GROUNDED POWER SUPPLY.

The water heater is fitted with an electrical connection that is intended to connect to a grounded 110-120 V/AC supply. Adhere to all pertinent State and local codes. Install the correct size circuit breaker into the master panel. The Eemax Minitank water heater was manufactured and wired in accordance with UL requirements.

The water heater is equipped with an overheat-limiting device with a manual reset. Also known as the temperature high limit, this device has been factory installed to interrupt the power supply in the event of a thermostat failure.

This water heater is designed for ONLY 110-120V electrical service!!!! DO NOT CONNECT TO HIGHER OR LOWER VOLTAGE.

Failure to use proper voltage may result in personal injury and/or property damage. If the supplied electrical connection is either damaged or not long enough, do NOT use an extension cord. Have a licensed electrician replace the power cord.

INSTRUCTIONS FOR USE

CONGRATULATIONS! You are now ready to use your water heater. Run the hot water at a nearby sink and evaluate the hot water temperature. Make any temperature adjustment using the section below:

SETTING THE THERMOSTAT:

The water heater is equipped with an adjustable thermostat that once set will automatically control water temperature. The red indicator lamp remains illuminated while the water is being heated. If the water in the tank is at the desired temperature the lamp will NOT be illuminated.

The temperature adjusting knob will increase the temperature by turning the knob clockwise and decrease the water temperature by turning the knob counter clockwise. Below is an image of the knob.



Temperature adjusting knob

When not being used for a lengthy period of time, you can conserve energy by reducing the water temperature setting.

SETTING THE FREEZE PROTECTION:

When the water heater is not being used for an extended period of time and there is a risk of freezing, disconnect power and drain the water heater.

MAINTENANCE INSTRUCTIONS

Do not attempt to repair this water heater yourself. Call a service person (plumber or electrician) for service assistance. Always disconnect power when the water is turned off or when servicing or draining the water heater.

Before calling for service, first confirm that the water heater is properly filled and that 110VAC power has not been interrupted.

***WARNING:* Before servicing or cleaning the water heater, turn off the POWER switch and disconnect power.**

***NOTE:* For most maintenance operations, the water heater will be drained. In all cases before draining first turn off the POWER switch and then disconnect power.**

DRAINING AND REMOVING THE WATER HEATER:

1. Disconnect power from the water heater.
2. Open a hot water faucet to let hot water run out. Allow water to flow until water is no longer hot.
3. Turn off the cold water supply to the water heater.
4. Close the hot water faucet.
5. Disconnect the water heater from both the hot and cold water connections.
6. If possible siphon out remaining water.
7. Carefully detach the water heater from the wall.
8. Tilt the water heater to drain remaining water out of the heater.

REMOVING THE HEATING ELEMENT:

1. Turn off power supply, disconnect water heater from power and drain (see above).
2. Remove cover.
3. Remove all the line wires from the heating element.
4. Unscrew the heating element retaining nuts.
5. Remove the element.

DESCALING THE HEATING ELEMENT:

Scale deposits can affect the heating capability of the element. Heavy scale can even cause the element to burn out. The element can be descaled chemically or manually.

1. Remove the heating element (see above).
2. To descale chemically, soak the heating element in white vinegar or other descaling solution and then rinse well with fresh water.
3. To descale manually, let element dry and then using a non-metallic brush similar to a tooth brush; brush the residue from the element. Avoid damaging the surface of the element.
4. Reinstall the element and gasket.
5. Refill tank with water before turning on the power to the water heater.

REPLACING THE HEATING ELEMENT:

1. Disconnect power and drain the water heater (see prior instructions).
2. Remove heating element noting original positions of all connections.
3. Install new element with gasket making sure the new element and gasket are positioned correctly.
4. Tighten retaining nuts and make the wire connections to their original locations.

CHANGING THE THERMOSTAT:

1. Turn off the power switch and disconnect the water heater from the power supply.
2. Drain and remove the water heater. (see page 12)
3. Remove the bottom panel of the water heater.
4. Remove thermostat knob and unscrew two retaining screws. It may be necessary to pry the knob off of the thermostat spindle. Now remove front panel.
5. Disconnect the push-pull wire connectors on the thermostat noting which connector goes to which terminal. Terminals are marked.
6. Remove the thermostat probe from the well.
7. Install new thermostat, attach wires and tighten screws.

RESETTING THE HIGH LIMIT SWITCH:

For various reasons the high limit safety shut off switch will occasionally shut the water heater down. This shut down will occur when water temperatures exceed 190F. Power is automatically turned off to the heating element. The shut off device may activate as a result of a power outage or an electrical storm.

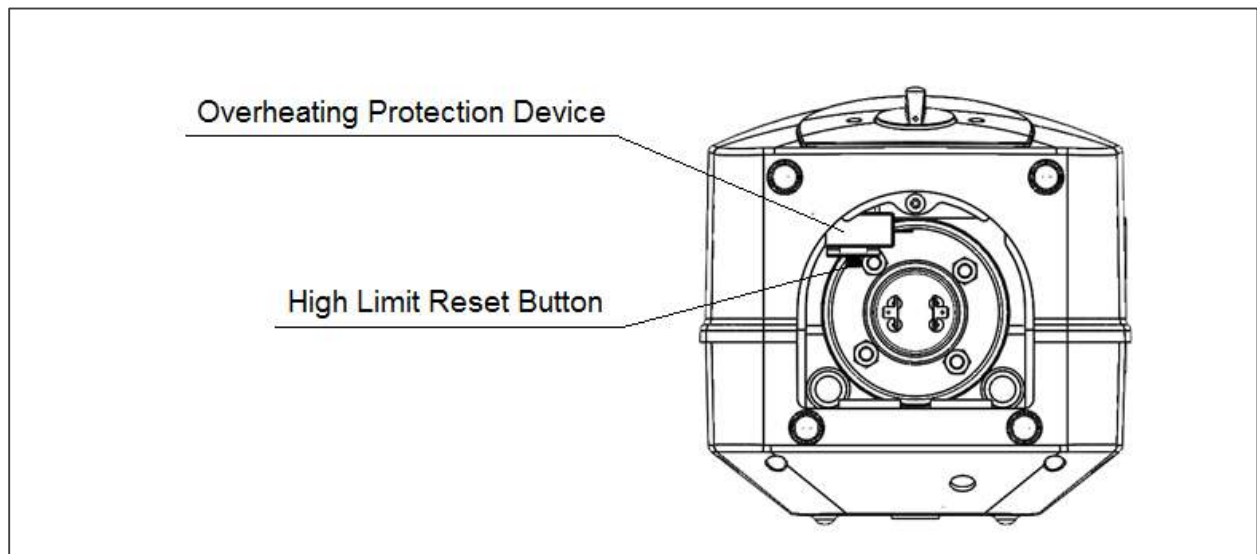
NOTE: Do not attempt to reset the high limit switch without first allowing the water heater to cool down the high temperature water inside the heater.

WARNING: Do not tamper with the reset button to override overheating shut down.

1. Turn off the power switch and disconnect the water heater from the power supply.
2. Drain and remove the water heater. (see page 12)
3. Remove the bottom panel of the water heater.
4. Locate the high limit reset button.
5. Depress the small red button in the center of the junction box, replace the bottom panel and place the water heater back into service.

NOTE: A lower temperature setting saves energy and reduces the risk of scalding.

CAUTION!: Call a technician if the high limit needs to be reset frequently.



TROUBLE SHOOTING

PROBLEM: *Water does not get hot*

1. Make sure the power supply is on and working.
2. If light does not come on, check that the reset button is pushed in; follow steps from previous section.
3. If the indicator light is illuminated, but water temperature does not get hot at the sink, test for a plumbing crossover as follows; shut off cold water supply to water heater and open hot water tap. There should be no water flowing. Any continuous flow indicates a cross over which will affect the temperature and will need to be corrected.
4. If there is no crossover, then replace the heating element (see previous sections).

PROBLEM: *Indicator light not on*

1. If the light does not come on, but water gets hot, check for faulty bulb.
2. Check reset button; follow steps from previous section.

PROBLEM: *Brown water*

1. Brown or rusty water indicates a "spent" anode rod. Replace anode rod.

PROBLEM: *Odor in water*

1. Smelly water could be due to an unusual reaction between local water and the heater's anode rod. Check anode rod.

PROBLEM: *Water is too hot*

1. Turn the temperature knob counter clockwise to a lower temperature setting. If temperature does not lower within 60 minutes, then replace thermostat.

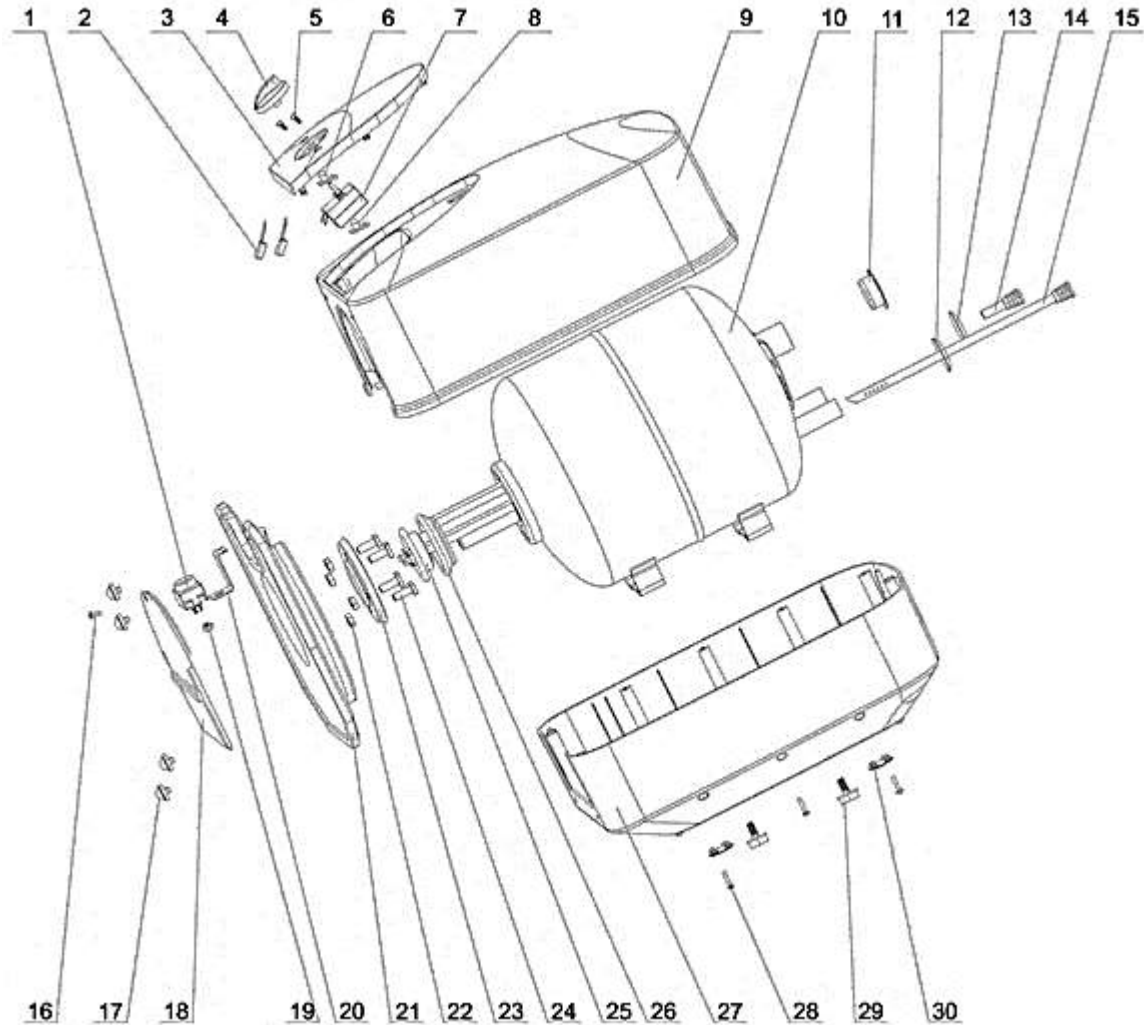
PROBLEM: *Water is not hot enough*

1. Under Instructions for Use, see "Setting the thermostat".

PROBLEM: *Water is leaking*

1. Turn off power switch and disconnect water heater from 110 VAC power supply.
2. Check water fittings and T&P fitting in the top of the tank.
3. Remove cover and inspect heating element gasket.

Schematic Disassembly EMT1 – EMT2.5 – EMT4 – EMT6



Parts List EMT1 – EMT2.5 – EMT4 – EMT6

NO.	Name of part	Qty
1	temperature limiter	1
2	internal wire components	1
3	decoration panel	1
4	knob of temperature	1
5	Cross nut	2
6	red lamp with PCB	1
7	thermostat	1
8	green lamp with PCB	1
9	top cover	1
10	inner tank components	1
11	yellow liner bushing of pipe	1
12	blue liner bushing of pipe	1
13	red liner bushing of pipe	1
14	outlet pipe components	1
15	inlet pipe components	1

NO.	Name of part	Qty
16	Cross countersunk bolt	1
17	foot pads of water heater	4
18	maintainence cover	1
19	bolt of temperature limiter	1
20	bracket of temperature limiter	1
21	inner foam (bottom)	1
22	bolt M8	
23	flange cover	1
24	Square head bolt	
25	heating element	1
26	Sealing ring of heating element	1
27	bottom cover	1
28	angle bolt	11
29	External 6 angles bolt	2
30	foaming plug	2

Limited Warranty Information – Eemax Electric Mini Tank Water Heaters

Subject to the terms and conditions set forth in this limited warranty, each Eemax Mini Tank Water Heater is warranted to the original owner ("Owner") against (i) mechanical or electrical failure of any component solely due to defects in materials or Manufacturer's workmanship for a period of two years from the date of original purchase and (ii) leaks solely due to defects in materials or Manufacturer's workmanship for the later of (x) five years from the date of original purchase or (y) the date of Owner's occupancy of a new dwelling in which the Eemax Mini Tank Water Heater is installed. However, if Owner cannot document the original date of purchase with the original sales receipt, then the limited warranty period begins on the date the Eemax Mini Tank Water Heater was manufactured. As Owner's sole and exclusive remedy, Manufacturer shall, at Manufacturer's sole election, either repair or replace the Eemax Mini Tank Water Heater or the defective portion of such product. Manufacturer is not liable for any costs incurred by Owner, including, without limitation, the cost of any labor. Manufacturer's maximum liability is limited to the value of the water heater. This limited warranty shall be governed by the laws of the United States.

THIS LIMITED WARRANTY SHALL BE THE EXCLUSIVE WARRANTY MADE BY MANUFACTURER AND IS MADE IN LIEU OF ALL OTHER WARRANTIES, STATUTORY, EXPRESSED OR IMPLIED (WHETHER WRITTEN OR ORAL), INCLUDING, BUT NOT LIMITED TO, WARRANTIES OF MERCHANTABILITY AND FITNESS FOR A PARTICULAR PURPOSE. MANUFACTURER EXPRESSLY DISCLAIMS THE IMPLIED WARRANTIES OF MERCHANTABILITY AND FITNESS FOR A PARTICULAR PURPOSE. OWNER'S SOLE AND EXCLUSIVE REMEDY IS PRODUCT REPAIR OR REPLACED, AS PROVIDED IN THIS LIMITED WARRANTY, AND ALL OTHER CLAIMS FOR DAMAGES ARE EXCLUDED.

THE REMEDIES SET FORTH IN THIS LIMITED WARRANTY ARE THE ONLY REMEDIES AVAILABLE TO OWNER OR ANY PERSON FOR BREACH OF ANY COVENANT, DUTY OR OBLIGATION ON THE PART OF MANUFACTURER. MANUFACTURER IS NOT LIABLE TO OWNER OR ANY THIRD PARTY FOR ANY LOSS, PERSONAL INJURY OR PROPERTY DAMAGE, DIRECTLY OR INDIRECTLY, ARISING FROM THE EEMAX MINI TANK WATER HEATER. UNDER NO CIRCUMSTANCES IS MANUFACTURER LIABLE TO OWNER OR ANY THIRD PARTY FOR INCIDENTAL, CONSEQUENTIAL, SPECIAL, CONTINGENT, OR PUNITIVE DAMAGES OF ANY DESCRIPTION, WHETHER ANY SUCH CLAIM BE BASED UPON WARRANTY, CONTRACT, NEGLIGENCE, STRICT LIABILITY, OR OTHER TORT, OR OTHERWISE.

SOME STATES DO NOT ALLOW THE EXCLUSION OR LIMITATION OF INCIDENTAL OR CONSEQUENTIAL DAMAGES, SO THE ABOVE LIMITATION OR EXCLUSION MAY NOT APPLY TO OWNER. IN SUCH CASES, THE WARRANTY SHALL BE LIMITED TO ONE YEAR FROM THE ORIGINAL DATE OF PURCHASE OR DATE OF MANUFACTURE, AS PROVIDED IN THIS LIMITED WARRANTY, OR THE SHORTEST PERIOD ALLOWED BY LAW. THIS WARRANTY GIVES OWNER SPECIFIC LEGAL RIGHTS AND OWNER MAY ALSO HAVE OTHER RIGHTS WHICH MAY VARY FROM STATE TO STATE.

Exclusions of Coverage from this Limited Warranty

1. Manufacturer is not liable for any water damage or other damages arising, directly or indirectly, from any defect in the Eemax Mini Tank Water Heater component part(s) or from its use.
2. Manufacturer is not liable under this limited warranty or otherwise if:
 - a) The water heater or any of its component parts have been subject to misuse, alteration, neglect or accident; or
 - b) The water heater has not been installed in accordance with the applicable local plumbing and/or building code(s) and/or regulation(s); or
 - c) The water heater has not been installed or maintained in accordance with Manufacturer's printed instructions, or installed with improper orientation, improper fastening, improper use of pipe dope/plumbers putty or with the use of any non-Manufacturer approved sealant; or
 - d) The water heater has not been continuously supplied with potable water or The water's inlet temperature is above Manufacturer's recommended maximum temperature; or
 - e) The water heater experiences any water pressure or flow interruptions, normal inlet water pressure is outside of the published specification for the heater; is exposed to any condition that causes the heater to turn on before the air is purged from the heater also known as dry fire; or
 - f) The water heater has been exposed to conditions resulting from floods, earthquakes, winds, fire, freezing, lightning, or circumstances beyond the Manufacturer's control; or
 - g) The water heater has been removed from its original installation location; or
 - h) The water heater has been used for other than the intended purpose.
3. Owner, and not Manufacturer or its agent/representative, is liable for and shall pay for all field charges for labor or other expenses incurred in the removal and/or repair of the water heater or any expense incurred by Owner in order to repair the water heater.

Subject to the terms and conditions set forth in this limited warranty, if the Eemax Mini Tank Water Heater fails or leaks because of defects in materials or Manufacturer's workmanship during the applicable warranty period set forth above, Owner should contact Manufacturer for a Returned Merchandise Authorization (RMA). No returns will be accepted by Manufacturer without an RMA number and Manufacturer assumes no responsibility for a water heater returned without an RMA number. Water heaters should be wrapped and packaged securely to avoid shipping damage. All shipments of parts from the Manufacturer to the Owner to replace defective components shall be made via normal ground transportation. If expedited shipment is required, it will be provided at Owner's additional cost.

Manual de instrucciones de instalación y funcionamiento

Índice

Instrucciones importantes sobre seguridad	20
Datos técnicos	21
Información general	23
Descripción técnica	24
Instrucciones de instalación	24
Conexiones de fontanería	25
Válvula de alivio de temperatura y presión	25
Llenado del calentador de agua	27
Conexiones eléctricas	28
Instrucciones de uso	29
Instrucciones de mantenimiento	30
Solución de problemas	33
Esquema de desmontaje y lista de componentes	34
Garantía	35

INSTRUCCIONES IMPORTANTES SOBRE SEGURIDAD

PRECAUCIÓN: Cuando se utilicen aparatos eléctricos, deben seguirse precauciones de seguridad para disminuir el riesgo de incendio, descarga eléctrica o daños a las personas, incluyendo:

1. LEA LAS INSTRUCCIONES AL COMPLETO ANTES DE UTILIZAR ESTE CALENTADOR DE AGUA.
2. Este calentador de agua debe estar conectado a tierra. Conéctelo únicamente al suministro de alimentación correctamente conectada a tierra. Véanse "INSTRUCCIONES DE CONEXIÓN A TIERRA" en la página 28.
3. Instale o coloque este calentador de agua únicamente de acuerdo a las instrucciones de instalación que se le facilitan.
4. Utilice este calentador de agua únicamente para su uso previsto tal y como se describe en este manual.
5. No emplee un cable de extensión con este calentador de agua. De no disponer de un receptáculo de alimentación adyacente al calentador de agua, contacte con un electricista cualificado para que le instale uno correctamente.
6. Al igual que con cualquier aparato eléctrico, será necesaria supervisión cercana cuando sean niños quienes lo utilicen.
7. No haga funcionar este calentador de agua si algún conexión eléctrica está deteriorado, si no funciona correctamente o si sufre desperfectos o se ha dejado caer.
8. Este calentador de agua deberá ser reparado únicamente por personal de reparaciones cualificado. Contacte con el centro de reparaciones autorizado más cercano para su examen, reparación o ajuste.

CONSERVE ESTAS INSTRUCCIONES

El fabricante y/o el distribuidor no se responsabilizan de los daños causados por una instalación inadecuada o por no observar las instrucciones de este manual.

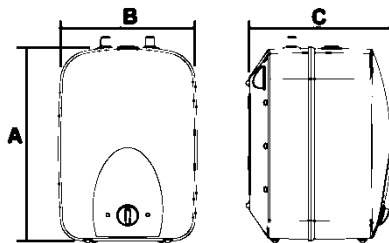
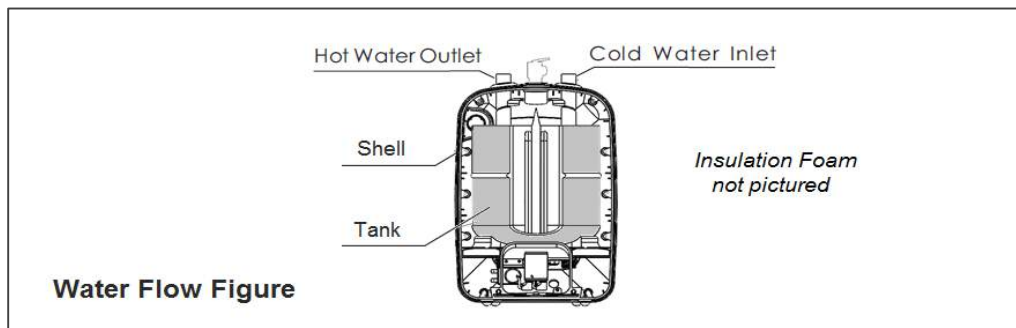
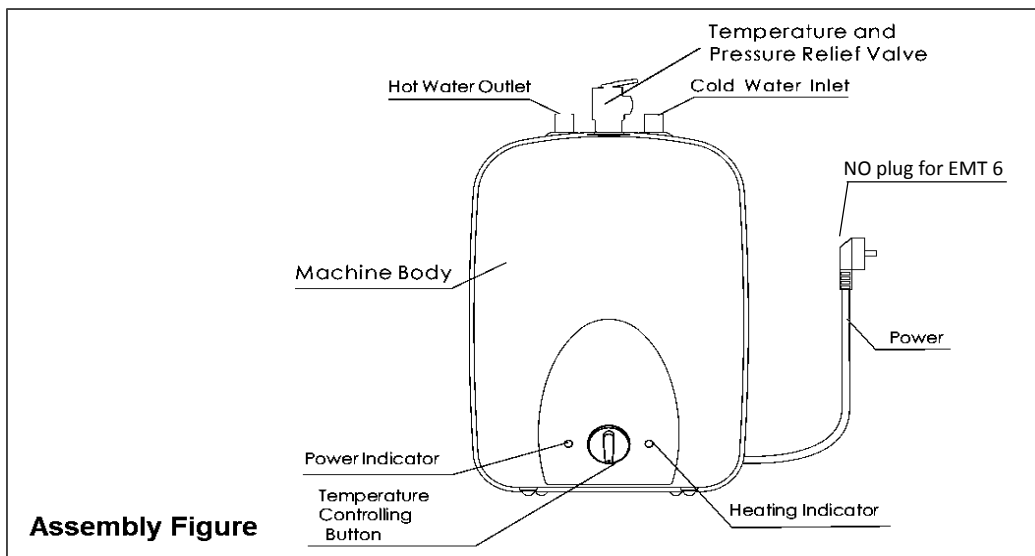
UN TÉCNICO CUALIFICADO Y CON LICENCIA DEBERÁ SER SIEMPRE QUIEN INSTALE EL CALENTADOR DE AGUA Y LLEVE A CABO TODO TRABAJO DE REPARACIÓN Y/O MANTENIMIENTO POSTERIOR.

¡¡¡IMPORTANTE!!!

NUNCA PONGA EN MARCHA EL CALENTADOR DE AGUA HASTA QUE EL DEPÓSITO ESTÉ COMPLETAMENTE LLENO Y EL AGUA FLUYA DEL GRIFO DEL AGUA CALIENTE.

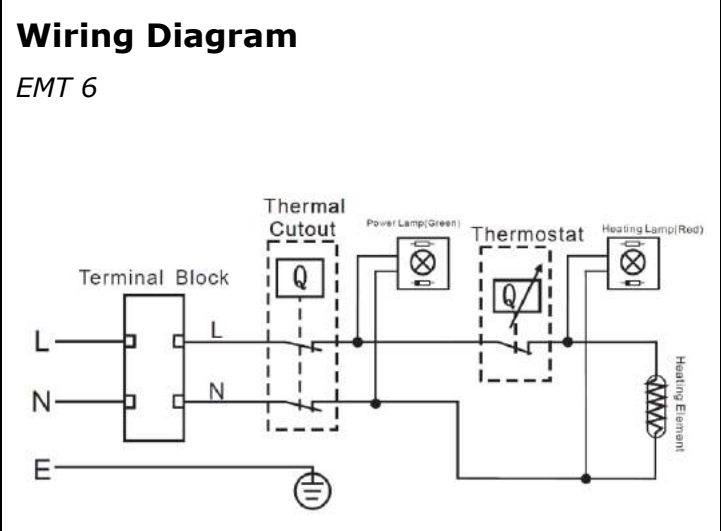
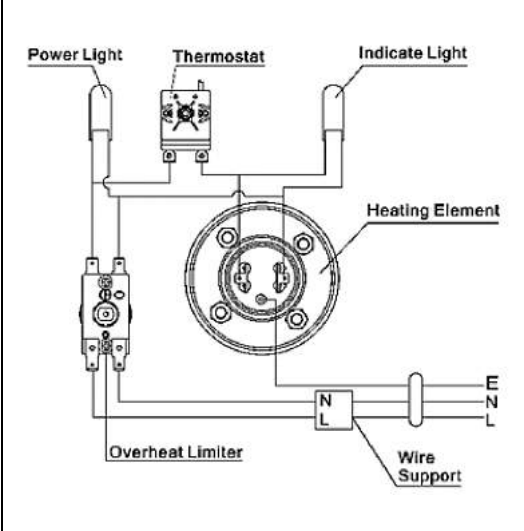
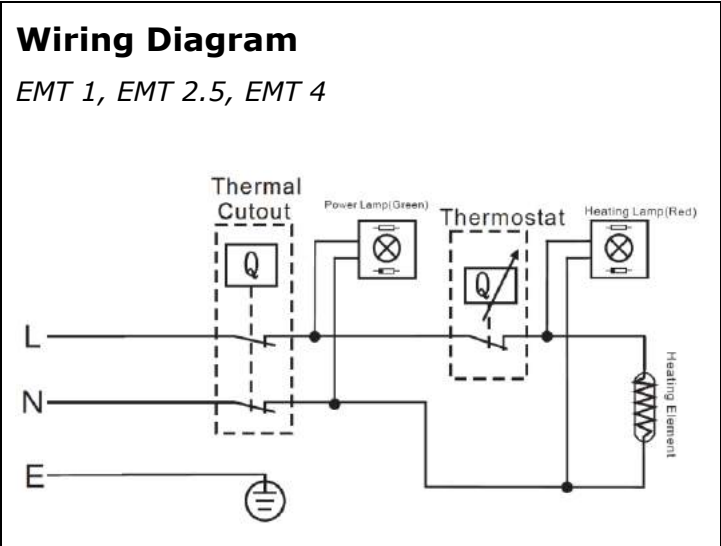
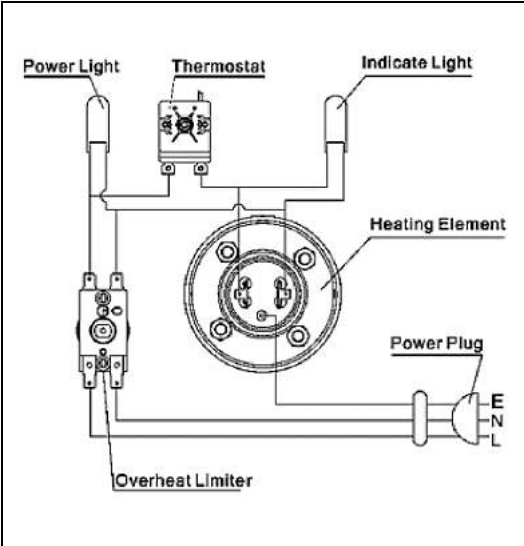
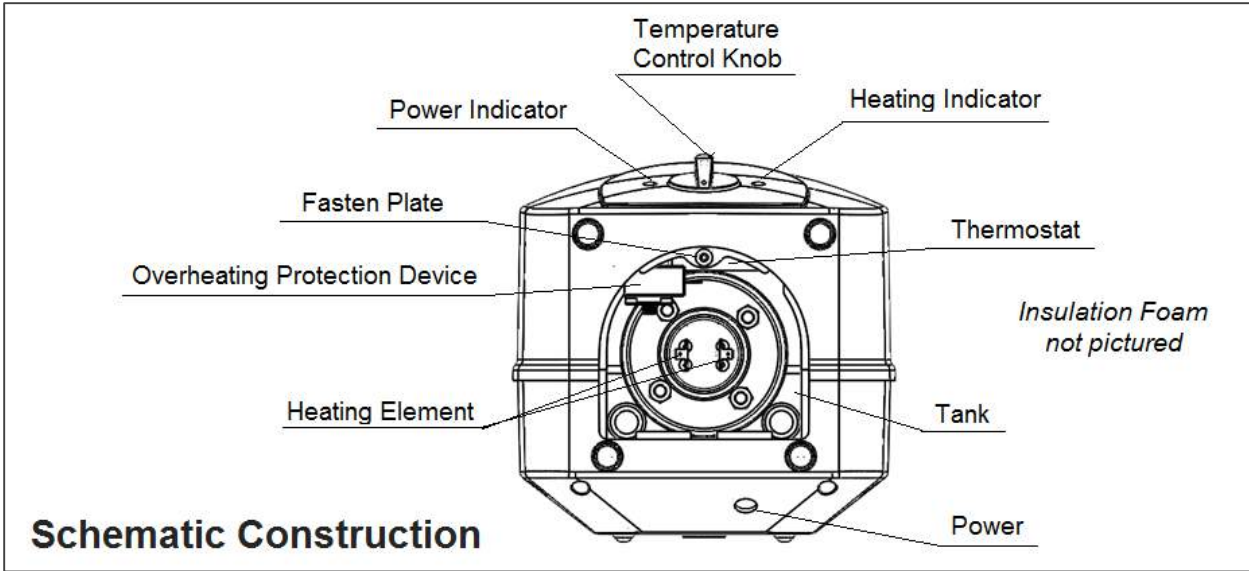
Datos técnicos

Modelo	EMT 1	EMT 2.5	EMT 4	EMT 6
Capacidad	6 L	10 L	15 L	23 L
Voltaje	1440	1440	1440	1440
Alimentación a 120 VCA	110-120	110-120	110-120	110-120
Máxima presión del agua	150 psi	150 psi	150 psi	150 psi
Peso (vacío)	5,3 kg	7,0 kg	8,8 kg	11,3 kg
Amperaje	12	12	12	12
Fases	1	1	1	1



Dimensiones

Modelo	EMT 1	EMT 2.5	EMT 4	EMT 6
A (mm)	360.4	405.9	442.2	503.2
B (mm)	246.6	276.6	311.7	351.8
C (mm)	252.7	285.2	327.2	364.7



INFORMACIÓN GENERAL

Los calentadores de agua Eemax Mini Tank pueden utilizarse en la mayoría de aplicaciones, con inmediatez y en el mismo lugar de uso. Los modelos EMT están diseñados para proporcionar agua caliente en todos los lavamanos y fregaderos.

Los modelos EMT pueden sustituir a los tradicionales calentadores centralizados, ahorrando agua y reduciendo el consumo de energía.

Los calentadores de agua Eemax Mini Tank son ligeros y compactos y están fabricados para su fácil instalación. Los modelos EMT están diseñados para ser montados en la pared.

Los modelos EMT están diseñados para funcionar a una presión máxima del agua de 150 psi.

¡PRECAUCIÓN! El fabricante no puede hacerse responsable de los daños causados por una instalación incorrecta o por no seguir las instrucciones de este manual. Cumpla las instrucciones de instalación antes de conectar al suministro de alimentación.

¡PRECAUCIÓN! El termostato ha sido configurado en la fábrica entre 10°C (50°F) y 60°C (140°F).

¡PRECAUCIÓN! El sistema de agua caliente proporcionado por este calentador puede producir gas hidrógeno si no se utiliza durante un largo período de tiempo (generalmente 2 semanas o más). El gas hidrógeno es extremadamente inflamable. Para reducir el riesgo de daños en estas condiciones, se recomienda abrir durante varios minutos el grifo del agua caliente de los fregaderos más próximo y más alejado a los que este calentador suministre agua caliente antes de utilizar cualquier aparato eléctrico conectado al sistema, p.e. un lavavajillas. De existir gas hidrógeno, probablemente se escuchará un sonido inusual, como aire escapando del grifo, a medida que el agua comience a fluir. No se deberá fumar ni haber una llama abierta cerca del grifo en este momento.

PRECAUCIÓN: El instalador deberá revisar con el propietario los contenidos de este manual tras completarse la instalación, y el propietario deberá quedarse y guardar el manual en un lugar próximo al calentador de agua.

DESCRIPCIÓN TÉCNICA

Hay 4 modelos de depósito Eemax Minitank: de 1,5 galones (6 litros), de 2,5 galones (9,4 litros), de 4 galones (15 litros) y de 6 galones (22,7 litros). El recipiente de presión (depósito de agua) está soldado en acero revestido de vidrio y está equipado con una vara de ánodo.

El calentador de agua está equipado con un termostato y un interruptor limitador de alta temperatura. Con la unidad se suministra una válvula de alivio de temperatura/presión.

INSTRUCCIONES DE INSTALACIÓN

EMT 1 - EMT 2.5 – EMT 4 - EMT 6

La instalación debe realizarla un profesional con licencia. Deben respetarse todas las normas estatales y locales. El fabricante no será responsable de daño alguno producido como consecuencia de no seguir estas instrucciones de instalación o debido a una instalación incorrecta realizada por un instalador no cualificado.

ESCOJA UNA UBICACIÓN que permita facilidad de acceso para el mantenimiento o reparación, de forma ideal al menos de 8" a 9" desde el techo (parte superior interna de la carcasa) o cualquier pared adyacente.

MONTAJE EN LA PARED

Asegure a la pared el soporte de fijación que se ha proporcionado. Utilice tornillos adecuados para el material de la pared y el peso del calentador de agua lleno hasta el límite de su capacidad (EMT 1 = 25 lbs. (11,3 kilos) - EMT 2.5 = 37 lbs. (17,0 kilos) - EMT 4 = 52 lbs. (23,7 kilos) - EMT 6 = 80 lbs. (36,2 kilos)). Cuelgue el calentador de agua del soporte y tire del calentador hacia abajo para asegurarse de que ambos "dedos" del soporte están encajados en las ranuras de montaje. Confirme la orientación de los conductos de agua (caliente y fría) antes de montar en la pared. **INSTALE ÚNICAMENTE EN POSICIÓN VERTICAL.**

El calentador puede descansar sobre el suelo. Confirme la orientación de los conductos de agua antes de finalizar sobre el suelo. **¡INSTALE ÚNICAMENTE EN POSICIÓN VERTICAL! Los modelos EMT pueden instalarse debajo del fregadero.**

CONEXIONES DE FONTANERÍA

Conecte la tubería de entrada de agua fría a la boquilla de entrada (marcada con un círculo azul) y la tubería de salida de agua caliente a la boquilla de salida (marcada con un círculo rojo).

IMPORTANTE: Si las tuberías del agua son de cobre o bronce, utilice conectores dieléctricos para evitar la corrosión. No proporcionar aislamiento dieléctrico puede provocar un fallo prematuro del depósito o boquilla y anulará su garantía. Asegúrese de que el calentador de agua está instalado en posición estable. Instale una válvula de cierre en el lado del agua fría del calentador de agua. La válvula es para mantenimiento y deberá estar en posición abierta cuando el calentador de agua esté en funcionamiento. Para proteger el calentador de agua de daños por calentamiento a causa de soldadura, suelde un trozo de tubería a una UNIÓN roscada antes de atornillar la UNIÓN al depósito. **NO APLIQUE CALOR DIRECTO EN LAS CONEXIONES DE ENTRADA Y SALIDA.**

VÁLVULA DE ALIVIO DE TEMPERATURA Y PRESIÓN:

¡PRECAUCIÓN! Para reducir el riesgo de presiones y temperaturas excesivas en este calentador de agua, instale un equipo de protección de presión y temperatura requerido por los códigos locales, pero no menos de una válvula de alivio combinada de temperatura y presión certificada en cumplimiento con los requisitos para válvulas de alivio y dispositivos de cierre automático de gas para sistemas de suministro de agua caliente, ANSI Z21.22, por un laboratorio de pruebas de reconocimiento nacional que lleve a cabo inspecciones periódicas de producción de los equipos o materiales listados. La válvula debe estar orientada, suministrada con tuberías o de lo contrario instalada de manera que la descarga pueda salir únicamente dentro de la 6 pulgadas por encima o a cualquier distancia por debajo de la base estructural y no pueda entrar en contacto con parte eléctrica activa alguna.

Instale una tubería de descarga desde la válvula de alivio de temperatura/presión terminando en un fregadero o desagüe. **NO TAPE U OBSTRUYA EL EXTREMO DE LA TUBERÍA DE DESCARGA. LA TUBERÍA DE DESCARGA DEBE ESTAR LIBRE DE OBSTRUCCIONES Y A TAMAÑO COMPLETO.**

La válvula de T/P cuenta con la certificación de un laboratorio de pruebas de reconocimiento nacional que realiza inspecciones periódicas del equipo listado y cumple con los requisitos para válvulas de alivio y dispositivos de cierre automático de sistemas de suministro de agua caliente ANSI Z21.22.

La válvula T/P está marcada con una presión máxima, que no excede la presión máxima de funcionamiento del calentador de agua (150 PSI).

Instale la válvula T/P en la abertura roscada en la parte superior del calentador de agua y oriente la tubería de descarga de manera que cualquier descarga de la válvula será expulsada a 6 pulgadas (15 cm.) por encima, o a cualquier distancia por debajo de la base estructural, y no pueda entrar en contacto con parte eléctrica activa alguna.

Tubería de la válvula de descarga T/P:

- 1. NO debe ser de un diámetro menor que el diámetro de salida de la válvula, o tener acoplamiento de reducción alguno.**
- 2. NO debe estar obstruida o bloqueada.**
- 3. Debe estar fabricada en un material adecuado para el agua caliente.**
- 4. No debe ser de una longitud mayor de 15'.**
- 5. No debe tener más de dos codos.**
- 6. Debe terminar en un desagüe adecuado.**
- 7. No debe tener una válvula de cierre entre la válvula de alivio y el depósito o la válvula de alivio y el extremo final de la descarga.**

EXPANSIÓN TÉRMICA EN SISTEMA CERRADO:

La descarga periódica de la válvula de alivio T/P o un fallo en la junta del elemento puede deberse a la expansión térmica en un sistema cerrado de suministro de agua. El medidor de suministro de agua puede contener una válvula de retención, un desconector hidráulico o válvula de reducción de la presión del agua que creará un sistema cerrado. Durante el ciclo de calentamiento del calentador de agua, el agua caliente se expande provocando un aumento de la presión en el interior del calentador. La válvula de alivio T/P podría descargar el agua caliente en estas condiciones, lo cual provocaría una pérdida de energía y la acumulación de cal en la base de la válvula de alivio. Para evitar que esto suceda, le recomendamos dos cosas:

- 1. Instale un depósito de expansión de agua caliente doméstico de tipo diafragma (adecuado para agua potable) en la línea de suministro de agua fría. El depósito de expansión debe tener una capacidad mínima de 1,5 galones U.S.A. (5,68 litros) por cada 50 galones (189 galones) de agua almacenada.**
- 2. Instale una válvula de alivio de presión de 125 PSI en la línea de suministro de agua fría. Asegúrese de que la descarga de esta válvula está dirigida a un desagüe abierto y protegida ante la congelación. Consulte con su servicio de aguas local o inspector de fontanería cómo controlar esta situación. Nunca obstruya la salida de la válvula de alivio.**

LLENADO DEL CALENTADOR DE AGUA

¡PRECAUCIÓN! Antes de conectar la alimentación, llene el depósito y el sistema con agua y compruebe que no haya fugas. Asegúrese de que el sistema está completamente cargado de agua y **SE HA RETIRADO TODO EL AIRE.**

Para asegurarse de que no queda aire dentro del sistema de aguas, abra los grifos del agua caliente de sus instalaciones hasta que mane un flujo constante de agua. En caso contrario, cualquier resto de aire en el depósito provocará que el componente calefactor del agua se autodestruya.

Llenado del calentador de agua:

1. Abra el grifo del agua caliente.
2. Abra la válvula de abastecimiento de agua fría.
3. Cuando del grifo mane un flujo continuo de agua, el depósito estará lleno.
4. Cierre el grifo del agua caliente.
5. Compruebe todo el sistema en busca de posibles fugas.

UTILIZANDO UN AIREADOR (sólo para el modelo EMT 1)

Se recomienda encarecidamente que se utilice un aireador junto con el modelo EMT 1. El propósito de este aireador es restringir la cantidad de agua que sale del EMT 1, lo que permite que el calentador produzca agua caliente durante más tiempo. De no usarse el aireador, la capacidad de 1,5 galones (6 litros) del EMT 1 se agotará con rapidez.

CONEXIONES ELÉCTRICAS

Para tener la certeza de que no queda aire dentro del sistema de aguas, abra el grifo del agua CALIENTE de sus instalaciones hasta que mane un flujo constante de agua. Si queda aire en el depósito, el componente resultará dañado cuando se conecte el cable eléctrico.

Conecte el calentador de agua a un SUMINISTRO DE ALIMENTACIÓN CON CONEXIÓN A TIERRA.

Este calentador de agua está equipado con un cable eléctrico fabricado para su conexión a un receptáculo a tierra de 110-120 V/AC. Respete todas las normas estatales y locales pertinentes. Instale un disyuntor del tamaño adecuado en el panel maestro. El calentador de agua Eemax Minitank ha sido fabricado y cableado de acuerdo con los requisitos UL.

El calentador de agua está equipado con un dispositivo limitador de sobrecalentamiento con reinicio manual. Conocido también como limitador de alta temperatura, este dispositivo viene instalado de fábrica para interrumpir el suministro de alimentación en caso de fallo del termostato.

iiiiEste calentador de agua está diseñado para un suministro eléctrico de únicamente 110-120V!!!! NO LO CONECTE A UN VOLTAJE SUPERIOR O INFERIOR.

No emplear un voltaje adecuado puede provocar daños personales y/o daños a la propiedad. Si la conexión eléctrica que se proporciona está deteriorado o no es lo bastante largo, NO utilice un cable de extensión. Haga que un electricista con licencia sustituya el cable eléctrico.

INSTRUCCIONES DE USO

¡FELICIDADES! Ya está usted listo para utilizar su calentador de agua. Haga correr el agua caliente en un fregadero cercano y evalúe la temperatura del agua caliente. Haga cualquier ajuste de la temperatura empleando la sección descrita abajo:

AJUSTE DEL TERMOSTATO:

El calentador de agua está equipado con un termostato ajustable que, una vez ajustado, controlará automáticamente la temperatura del agua. La luz indicadora roja permanecerá iluminada mientras el agua se está calentando. Si el agua en el depósito está a la temperatura deseada, la luz NO se iluminará.

La perilla de ajuste de temperatura aumentará la temperatura del agua al girarse en la dirección del reloj y disminuirá la temperatura al girarse en la dirección contraria. Ver foto abajo.



Perilla de ajuste de temperatura

Cuando no se vaya a utilizar en un largo período de tiempo, puede usted conservar la energía reduciendo los ajustes de temperatura del agua.

AJUSTE DEL PROTECTOR DE CONGELACIÓN:

Cuando el calentador de agua no vaya a ser utilizado durante un extenso período de tiempo y exista riesgo de congelación, desenchufe y drene el calentador de agua.

INSTRUCCIONES DE MANTENIMIENTO

No intente reparar usted mismo este calentador de agua. Llame a un técnico reparador (fontanero o electricista) para su asistencia técnica. Desconecte siempre la conexión eléctrica cuando desconecte el calentador o cuando se esté drenando o reparando el calentador.

Antes de solicitar asistencia técnica, confirme primero que el calentador de agua está correctamente lleno y que el flujo eléctrico de 110VAC no se ha interrumpido.

PRECAUCIÓN: Antes de reparar o limpiar el calentador de agua, apague el interruptor POWER y desconecte la conexión eléctrica del suministro de alimentación.

NOTA: En la mayoría de operaciones de mantenimiento, el calentador de agua deberá ser drenado. En todos los casos, antes de drenar apague el interruptor POWER y a continuación desconecte la conexión eléctrica.

DRENAJE Y RETIRADO DEL CALENTADOR DE AGUA:

1. Desconecte la conexión eléctrica del calentador de agua.
2. Abra un grifo de agua caliente para dejar que salga el agua caliente. Deje que fluya el agua hasta que el agua ya no esté caliente.
3. Desconecte el suministro de agua fría al calentador de agua.
4. Cierre el grifo del agua caliente.
5. Desconecte el calentador de agua de las conexiones tanto de agua fría como caliente.
6. De ser posible, extraiga el agua que quede mediante el método de sifón.
7. Retire cuidadosamente el calentador de agua de la pared.
8. Inclíne el calentador para vaciarlo del agua que quede.

RETIRADA DEL COMPONENTE CALEFACTOR:

1. Apague el suministro de alimentación, desconecte la conexión eléctrica del calentador y drene el agua (ver arriba).
2. Retire la tapa.
3. Retire todos los cables de corriente del componente calefactor.
4. Desenrosque las tuercas de sujeción del componente calefactor.
5. Retire el componente.

DESCALCIFICACIÓN DEL COMPONENTE CALEFACTOR:

Los depósitos de cal pueden afectar a la capacidad de calefacción del componente. Un gran depósito de cal podría incluso provocar que el componente se quemara. El componente se puede descalcificar química o manualmente.

1. Retire el componente calefactor (ver arriba).
2. Para una descalcificación química, empape el componente calefactor en vinagre blanco u otra solución descalcificadora y a continuación enjuague con agua limpia.
3. Para una descalcificación manual, deje que el componente se seque y a continuación elimine los residuos empleando un cepillo no metálico similar a un cepillo de dientes. Evite dañar la superficie del componente.
4. Vuelva a instalar el componente y la junta.
5. Vuelva a llenar de agua el depósito antes de poner en marcha el calentador.

SUSTITUCIÓN DEL COMPONENTE CALEFACTOR:

1. Desconecte y drene el calentador de agua (ver instrucciones anteriores).
2. Retire el componente calefactor cerciorándose de las posiciones originales de todas las conexiones.
3. Instale el nuevo componente con la junta asegurándose de que el nuevo componente y la junta están en la posición correcta.
4. Apriete las tuercas de sujeción y ponga las conexiones de cableado en sus posiciones originales.

CAMBIO DEL TERMOSTATO:

1. Apague el interruptor de alimentación y desconecte el calentador del suministro de alimentación.
2. Drene y retire el calentador. (ver página 30)
3. Retire el panel inferior del calentador.
4. Retire la perilla del termostato y desatornille los dos tornillos restantes. Puede que sea necesario tirar de la perilla hasta sacarla del eje del termostato. Ahora retire el panel delantero.
5. Desconecte los conectores del cableado de pulsar-tirar del termostato cerciorándose de qué conector va a cuál terminal. Los terminales están señalados.
6. Retire de su llave el sensor del termostato.
7. Instale el nuevo termostato, fije el cableado y apriete los tornillos.

REINICIO DEL INTERRUPTOR LIMITADOR DE TEMPERATURA:

Por varias razones, el interruptor de seguridad de límite de temperatura desconectará en ocasiones el calentador. Esta desconexión sucederá cuando las temperaturas del agua superen los 190F (88C). La alimentación que recibe el componente calefactor se desconectará automáticamente. Este dispositivo de desconexión podría activarse a causa de un corte de energía o una tormenta eléctrica.

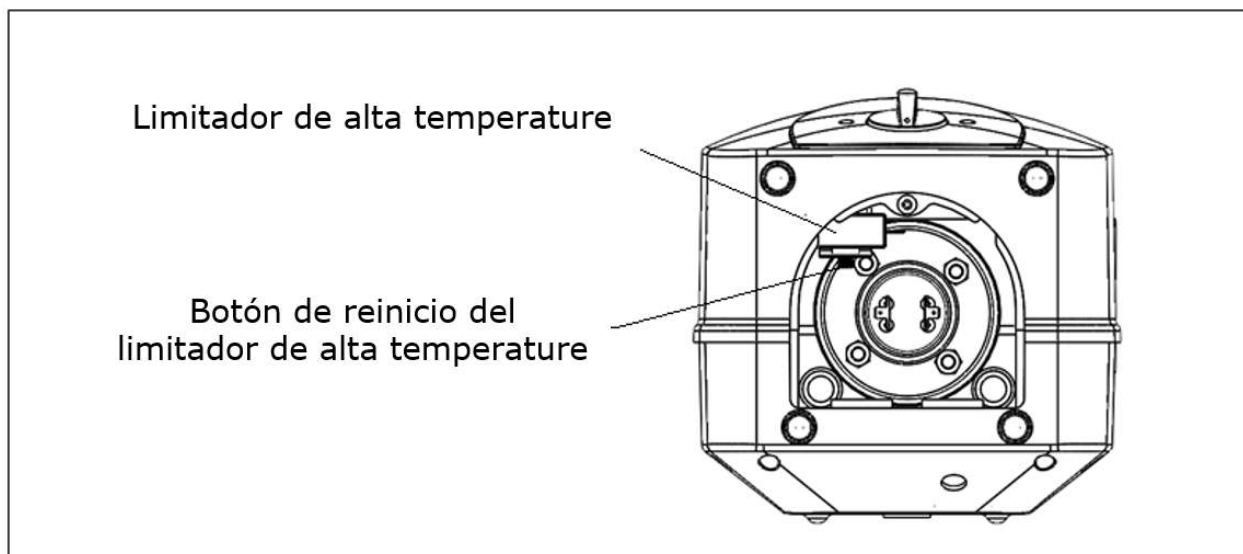
NOTA: No intente reiniciar el interruptor limitador sin haber dejado antes que se enfríe el agua a alta temperatura en el interior del calentador.

PRECAUCIÓN: No manipule el botón de reinicio para anular la desconexión por sobrecalentamiento.

1. Apague el interruptor de alimentación y desconecte el calentador del suministro de alimentación.
2. Drene y retire el calentador. (ver página 30)
3. Retire el panel inferior del calentador.
4. Localice el botón de reinicio del limitador.
5. Pulse el pequeño botón rojo en el centro de la caja de conexiones, vuelva a colocar el panel inferior y ponga el calentador de nuevo en servicio.

NOTA: Un ajuste de temperatura bajo ahorra energía y reduce el riesgo de escaldado.

¡PRECAUCIÓN!: Llame a un técnico si el limitador necesita reiniciarse con frecuencia.



SOLUCIÓN DE PROBLEMAS

PROBLEMA: *El agua no se calienta*

1. Asegúrese de que está recibiendo energía eléctrica.
2. Si la luz no se enciende, compruebe que el botón de reinicio esté pulsado; siga los pasos de la sección anterior.
3. Si la luz indicadora está iluminada pero la temperatura del agua en el fregadero no aumenta, compruebe si hay un cruce de tuberías tal como se describe; cierre el suministro de agua fría al calentador y abra el grifo del agua caliente. No debería haber flujo de agua. Cualquier flujo continuo indicaría un cruce, que tendría un efecto en la temperatura y necesitaría corregirse.
4. De no haber un cruce, sustituya el componente calefactor (ver secciones anteriores).

PROBLEMA: La luz indicadora no se enciende

1. Si la luz no se enciende, pero el agua se calienta, compruebe que la bombilla sea defectuosa.
2. Compruebe el botón de reinicio; siga los pasos de la sección anterior.

PROBLEMA: Agua marrón

1. El agua marrón o con óxido es indicativa de una varilla de ánodo "gastada". Sustituya la varilla de ánodo.

PROBLEMA: Olor en el agua

1. El agua con olor puede deberse a una inusual reacción entre el agua local y la varilla de ánodo del calentador. Compruebe la varilla de ánodo.

PROBLEMA: Agua demasiado caliente

1. Gire la perilla de la temperatura en dirección izquierda para ajustar una temperatura menor. Si la temperatura no disminuye en el plazo de 60 minutos, sustituya el termostato.

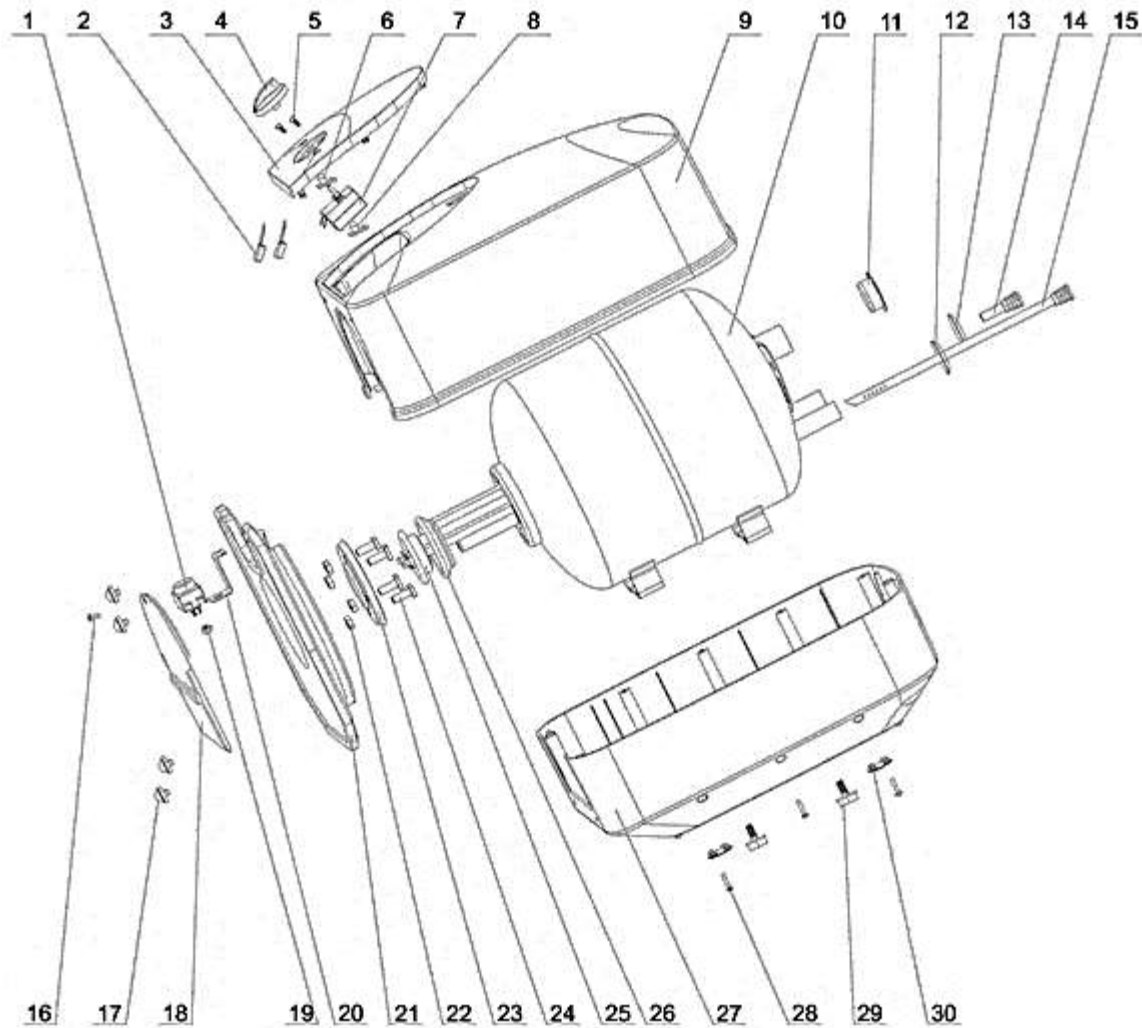
PROBLEMA: El agua no se calienta lo suficiente

1. En Instrucciones de uso, vea "Ajuste del termostato".

PROBLEMA: Fugas de agua

1. Apague el interruptor de alimentación y desenchufe el calentador del suministro de alimentación de 110 VAC.
2. Compruebe las tomas de agua y las tomas de T/P en la parte superior del depósito.
3. Retire la tapa e inspeccione la junta del componente calefactor.

Esquema de desmontaje EMT 1 – EMT 2.5 – EMT 4 – EMT 6



Lista de piezas EMT 1 - EMT 2.5 - EMT 4 - EMT 6

NO.	Name of part	Qty	NO.	Name of part	Qty
1	temperature limiter	1	16	Cross countersunk bolt	1
2	internal wire components	1	17	foot pads of water heater	4
3	decoration panel	1	18	maintainence cover	1
4	knob of temperature	1	19	bolt of temperature limiter	1
5	Cross nut	2	20	bracket of temperature limiter	1
6	red lamp with PCB	1	21	inner foam (bottom)	1
7	thermostat	1	22	bolt M8	
8	green lamp with PCB	1	23	flange cover	1
9	top cover	1	24	Square head bolt	
10	inner tank components	1	25	heating element	1
11	yellow liner bushing of pipe	1	26	Sealing ring of heating element	1
12	blue liner bushing of pipe	1	27	bottom cover	1
13	red liner bushing of pipe	1	28	angle bolt	11
14	outlet pipe components	1	29	External 6 angles bolt	2
15	inlet pipe components	1	30	foaming plug	2

Información de garantía limitada – Calentadores de agua Eemax Electric Mini Tank

Sujeto a los términos y condiciones expuestas en esta garantía limitada, cada calentador de agua Eemax Mini Tank está garantizado a su propietario original ("Propietario") ante (i) fallo mecánico o eléctrico de cualquier componente debido únicamente a defectos en los materiales o mano de obra del Fabricante por un período de dos años a partir de la fecha de compra original y (ii) filtraciones debidas únicamente a defectos en los materiales o mano de obra del Fabricante por un período de (x) cinco años a partir de la fecha de compra original o (y) la fecha de ocupación del Propietario de una nueva vivienda en la que esté instalado el calentador de agua Eemax Mini Tank. No obstante, si el Propietario no puede documentar la fecha original de adquisición con el recibo de compra original, el período de garantía limitada dará inicio a partir de la fecha de fabricación del calentador de agua Eemax Mini Tank. Como único y exclusivo recurso del Propietario, el Fabricante podrá, bajo decisión única del Fabricante, reparar o sustituir el calentador de agua Eemax Mini Tank o la parte defectuosa de dicho producto. El Fabricante no se hará responsable de coste alguno en el que incurra el Propietario, incluyendo, sin limitación, el coste de trabajo alguno. La máxima responsabilidad del Fabricante está limitada al valor del calentador de agua. Esta garantía limitada se registrará por los leyes de Estados Unidos.

ESTA GARANTÍA LIMITADA SERÁ LA GARANTÍA EXCLUSIVA PRESENTADA POR EL FABRICANTE Y SE OFRECE EN LUGAR DE CUALQUIER OTRA GARANTÍA, ESTATUTORIA, EXPRESA O IMPLÍCITA (YA DE FORMA ESCRITA O VERBAL), INCLUYENDO, SIN LIMITARSE A ELLAS, GARANTÍAS DE COMERCIABILIDAD O ADECUACIÓN A UNA FINALIDAD EN PARTICULAR. EL FABRICANTE RECHAZA EXPRESAMENTE LAS GARANTÍAS IMPLÍCITAS DE COMERCIABILIDAD Y ADECUACIÓN A UNA FINALIDAD EN PARTICULAR. EL ÚNICO Y EXCLUSIVO RECURSO DEL PROPIETARIO ES LA REPARACIÓN O SUSTITUCIÓN DEL PRODUCTO TAL Y COMO SE EXPONE EN ESTA GARANTÍA LIMITADA, Y SE EXCLUYE CUALQUIER OTRA RECLAMACIÓN POR DAÑOS.

LOS RECURSOS EXPUESTOS EN ESTA GARANTÍA LIMITADA SON LOS ÚNICOS RECURSOS DISPONIBLES PARA EL PROPIETARIO O CUALQUIER OTRA PERSONA POR INCUMPLIMIENTO DE CUALQUIER PACTO, DEBER U OBLIGACIÓN POR PARTE DEL FABRICANTE. EL FABRICANTE NO SERÁ RESPONSABLE ANTE EL PROPIETARIO O TERCERA PARTE ALGUNA POR NINGUNA PÉRDIDA, DAÑO PERSONAL O A LA PROPIEDAD RESULTANTE DE FORMA DIRECTA O INDIRECTA DEL CALENTADOR DE AGUA EEMAX MINI TANK. BAJO NINGUNA CIRCUNSTANCIA EL FABRICANTE SERÁ RESPONSABLE ANTE EL PROPIETARIO O TERCERA PARTE ALGUNA POR DAÑOS INCIDENTALES, CONSECUENTES, ESPECIALES, CONTINGENTES O PUNITIVOS DE CUALQUIER TIPO AUNQUE CUALQUIER RECLAMACIÓN DE ESTA CLASE ESTÉ BASADA EN GARANTÍA, CONTRATO, RESPONSABILIDAD DIRECTA, ACTOS ILÍCITOS U OTROS.

ALGUNOS ESTADOS NO PERMITEN LA EXCLUSIÓN O LIMITACIÓN DE DAÑOS INCIDENTALES O CONSECUENTES, DE MANERA QUE DICHA LIMITACIÓN O EXCLUSIÓN NO SE APLICA AL PROPIETARIO. EN TALES CASOS, LA GARANTÍA ESTARÁ LIMITADA A UN AÑO A PARTIR DE LA FECHA DE COMPRA ORIGINAL O FECHA DE FABRICACIÓN, TAL COMO SE EXPRESA EN ESTA GARANTÍA LIMITADA, O EL PERÍODO DE TIEMPO MÁS CORTO PERMITIDO POR LA LEY. ESTA GARANTÍA CONCEDE AL PROPIETARIO DERECHOS LEGALES CONCRETOS Y EL PROPIETARIO PUEDE TENER ADEMÁS OTROS DERECHOS QUE PUEDEN DIFERIR DE ESTADO A ESTADO.

Exclusiones de cobertura de esta garantía limitada

1. El Fabricante no será responsable de ningún daño por agua o cualquier otro daño resultante, de forma directa o indirecta, de defecto alguno en la(s) pieza(s) componente(s) del calentador de agua Eemax Mini Tank o de su uso.
2. El Fabricante no será responsable por esta garantía limitada u otra si:
 - a) El calentador de agua o cualquiera de sus piezas componentes ha sido objeto de mal uso, alteración, negligencia o accidente; o
 - b) El calentador de agua no ha sido instalado de acuerdo con los códigos y/o regulaciones sobre fontanería y/o edificación aplicables; o
 - c) El calentador de agua no ha sido instalado o mantenido de acuerdo con las instrucciones impresas del Fabricante, o instalado con orientación inadecuada, sujeción inadecuada, uso inadecuado de lubricante de tuberías/masilla de fontanería o uso de cualquier sellador no aprobado por el Fabricante; o
 - d) El calentador de agua no ha recibido un suministro constante de agua potable o la temperatura del agua entrante está por encima de la temperatura máxima recomendada por el Fabricante; o
 - e) El calentador de agua experimenta cualquier interrupción de la presión o flujo del agua, la presión normal del agua entrante está fuera de las especificaciones publicadas para el calentador; es expuesto a cualquier condición que provoque que el calentador se encienda antes de que el aire se haya purgado del calentador, conocido también como fuego seco; o
 - f) El calentador de agua haya sido expuesto a condiciones resultantes de inundaciones, terremotos, vientos, fuego, congelación, relámpago o circunstancias más allá del control del Fabricante; o
 - g) El calentador de agua ha sido retirado de su ubicación de instalación original; o
 - h) El calentador de agua se ha utilizado para otros propósitos ajenos a los previstos.
3. El Propietario, y no el Fabricante o su agente/representante, es responsable y deberá pagar por todas las tarifas por trabajos u otros gastos en que se haya incurrido por la retirada y/o reparación del calentador de agua o cualquier gasto en que incurra el Propietario para reparar el calentador de agua.

Sujeto a los términos y condiciones expuestas en esta garantía limitada, si el calentador de agua Eemax Mini Tank falla o sufre filtraciones a causa de defectos en materiales o mano de obra del Fabricante durante el período de tiempo expuesto arriba, el Propietario deberá contactar con el Fabricante para obtener una Autorización de Devolución de Mercancía (RMA). El Fabricante no aceptará devolución alguna sin un número de RMA, y el Fabricante no asumirá responsabilidad alguna por un calentador de agua devuelto sin un número de RMA. Los calentadores de agua deberán envolverse y empaquetarse de forma segura para evitar daños durante el transporte. Todos los envíos de piezas al Fabricante por parte del Propietario para la sustitución de componentes defectuosos deberán hacerse por transporte terrestre normal. De ser necesario transporte urgente, se proporcionará por un coste adicional al Propietario.

Manuel d'installation et d'utilisation

Table des matières

Consignes de sécurité importantes	38
Données techniques	39
Informations générales	41
Description technique	42
Instructions d'installation	42
Raccordements hydrauliques	43
Soupape de surpression et de sécurité thermique	43
Remplissage du chauffe-eau	45
Branchements électriques	46
Instructions d'utilisation	47
Instructions d'entretien	48
Dépannage	51
Vue éclatée et liste des composants	52
Garantie	53

CONSIGNES DE SÉCURITÉ IMPORTANTES

AVERTISSEMENT : lors de l'utilisation d'appareils électriques, il est nécessaire de suivre des mesures de sécurité pour réduire le risque d'incendie, d'électrocution ou de blessure, notamment :

- 1. LISEZ TOUTES LES INSTRUCTIONS AVANT D'UTILISER CE CHAUFFE-EAU.**
2. Ce chauffe-eau doit être relié à la terre. Raccordez uniquement à une source correctement mise à la terre. Consultez la section « INSTRUCTIONS DE MISE À LA TERRE » à la page 46.
3. Installez ou positionnez ce chauffe-eau uniquement en accord avec les instructions d'installation fournies.
4. Utilisez ce chauffe-eau uniquement pour l'usage prévu, tel que décrit dans ce manuel.
5. N'utilisez pas une rallonge électrique avec ce chauffe-eau. Si aucune prise n'est disponible à côté du chauffe-eau, contactez un électricien qualifié afin qu'il installe une prise correcte.
6. Comme pour tout appareil, toute utilisation de cet appareil par des enfants doit être surveillée de près.
7. N'utilisez pas ce chauffe-eau si branchements électriques est endommagé, s'il ne fonctionne pas correctement ou s'il a été endommagé ou qu'il est tombé.
8. Ce chauffe-eau doit être entretenu uniquement par un personnel d'entretien qualifié. Contactez le centre d'entretien agréé le plus proche en vue d'une inspection, d'une réparation ou d'un réglage.

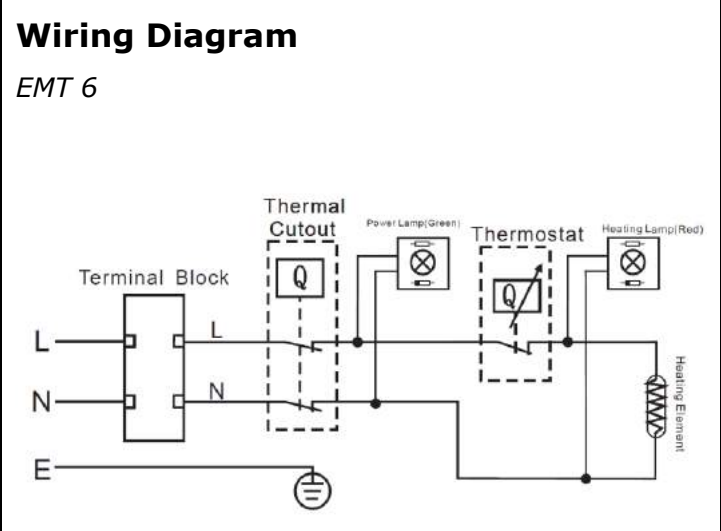
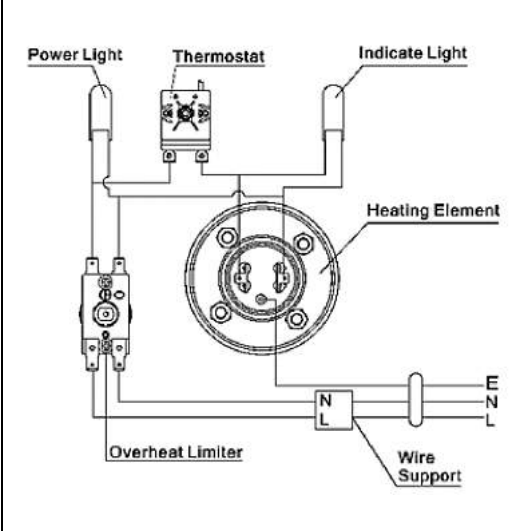
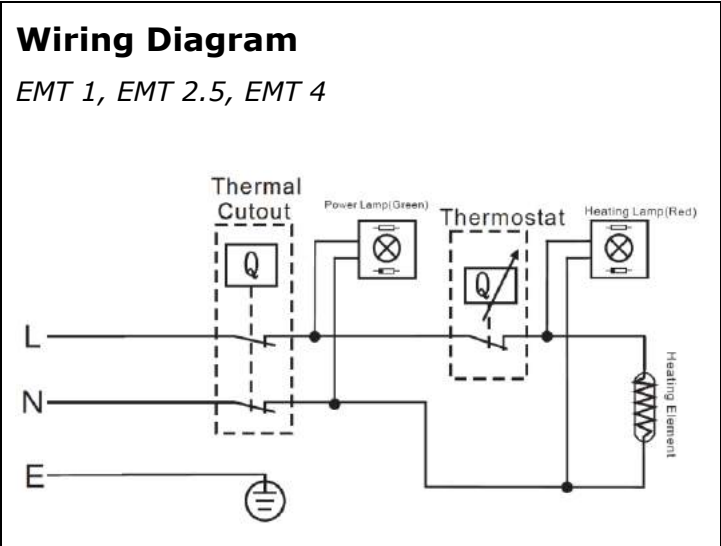
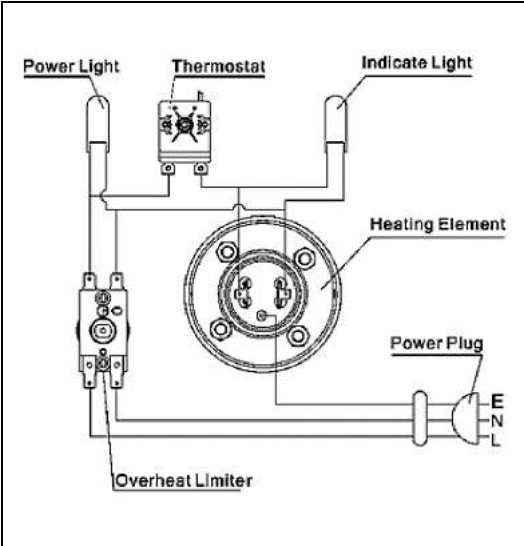
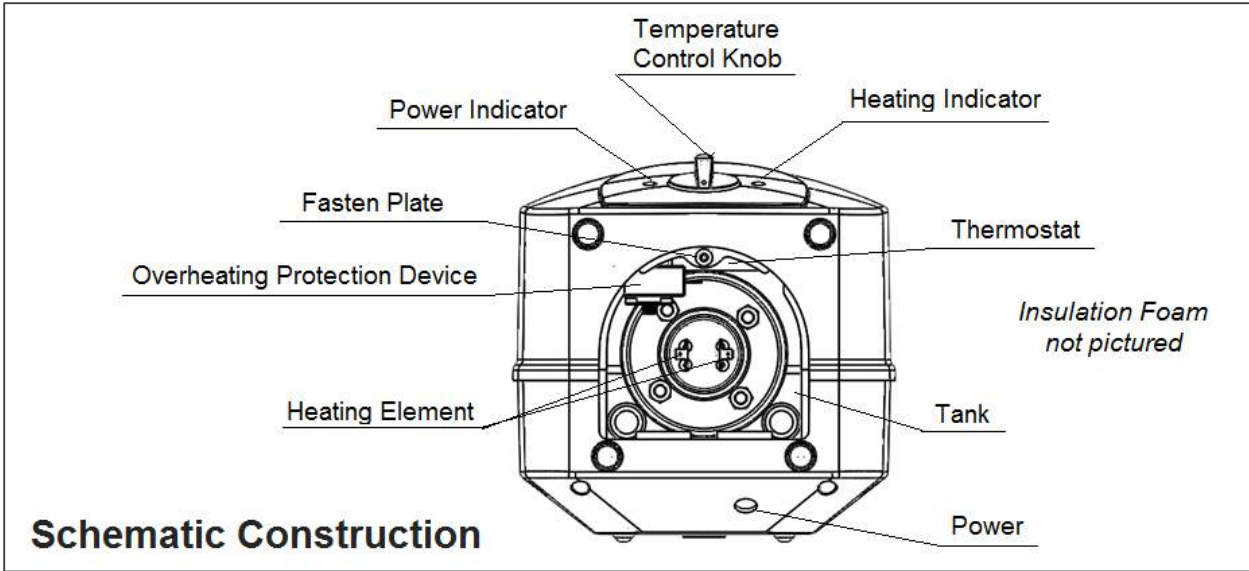
CONSERVEZ CE MANUEL

Le fabricant et/ou le distributeur ne sont pas responsables des dommages découlant d'une mauvaise installation ou du non-respect des instructions de ce manuel.

UN TECHNICIEN AGRÉÉ ET QUALIFIÉ DOIT TOUJOURS INSTALLER LE CHAUFFE-EAU ET RÉALISER TOUS LES TRAVAUX DE RÉPARATION ET/OU D'ENTRETIEN CONSÉCUTIFS.

IMPORTANT !!!

NE METTEZ JAMAIS LE CHAUFFE-EAU SOUS TENSION JUSQU'À CE QUE LE RÉSERVOIR SOIT COMPLÈTEMENT PLEIN ET QUE L'EAU NE S'ÉCOULE DU ROBINET D'EAU CHAUDE.



INFORMATIONS GÉNÉRALES

Les mini chauffe-eau Eemax peuvent être utilisés dans la plupart des applications encastrées au point d'utilisation. Les modèles EMT sont conçus pour approvisionner en eau chaude tous les éviers de cuisine et les lave-mains.

Les modèles EMT peuvent remplacer les chauffe-eau centraux traditionnels, conservant ainsi l'eau et réduisant le gaspillage d'énergie.

Les mini chauffe-eau Eemax sont légers et compacts. Ils sont conçus pour une installation facile. Les modèles EMT sont conçus pour une fixation murale.

Les modèles EMT sont conçus pour fonctionner à une pression d'eau maximale de 150 psi (10,30 bars).

ATTENTION ! : le fabricant ne peut pas être tenu pour responsable des dommages provoqués par une mauvaise installation ou par le non-respect des instructions contenues dans ce manuel. Respectez les instructions d'installation avant de brancher l'appareil à une alimentation électrique.

ATTENTION ! : le thermostat a été préréglé à l'usine entre 10°C (50°F) et 60°C (140°F).

ATTENTION ! : de l'hydrogène peut être produit dans un système d'eau chaude desservi par ce chauffe-eau lorsqu'il n'a pas été utilisé pendant une longue période (en général, deux semaines ou plus). L'hydrogène est un gaz extrêmement inflammable. Pour réduire le risque de blessure dans de telles situations, il est conseillé de laisser les robinets d'eau chaude ouverts pendant plusieurs minutes, au niveau de l'évier le plus proche et de l'évier le plus éloigné desservis par ce chauffe-eau, avant d'utiliser un appareil électrique quelconque qui est raccordé au système d'eau chaude, par exemple un lave-vaisselle. En présence d'hydrogène, vous entendrez probablement un bruit inhabituel, comme de l'air s'échappant par le robinet, quand l'eau commencera à couler. Aucune fumée ou flamme nue ne doit se trouver à côté du robinet à ce moment-là.

AVERTISSEMENT : l'installateur doit examiner le contenu de ce manuel avec le propriétaire lorsque l'installation est terminée et le propriétaire doit conserver ce manuel à proximité du chauffe-eau.

DESCRIPTION TECHNIQUE

Il existe quatre modèles de mini chauffe-eau Eemax : 1,5 gallons (6 litres) ; 2,5 gallons (9,4 litres) ; 4 gallons (15,1 litres) et 6 gallons (22,7 litres). Le récipient sous pression (réservoir d'eau) est soudé, fabriqué en acier revêtu de verre et doté d'une tige d'anode.

Le chauffe-eau est équipé d'un thermostat et d'un limiteur de température. Une soupape de surpression / sécurité thermique est fournie avec l'unité.

INSTRUCTIONS D'INSTALLATION

EMT 1 - EMT 2.5 - EMT 4 - EMT 6

L'installation doit être réalisée par un professionnel agréé. Tous les codes nationaux et locaux doivent être respectés. Le fabricant ne sera pas responsable de tout dommage découlant du non-respect des présentes instructions d'installation ou d'une mauvaise installation réalisée par un installateur non qualifié.

CHOISISSEZ UN EMPLACEMENT qui permet d'avoir facilement accès au chauffe-eau pour l'entretien et les réparations, l'appareil étant installé dans l'idéal 8 à 9 pouces (20 à 23 cm) au moins du plafond (intérieur en haut de l'armoire) ou de tous les murs adjacents.

FIXATION MURALE

Fixez au mur le support de montage fourni. Utilisez des vis adaptées au matériau du mur et au poids du chauffe-eau entièrement rempli (EMT 1 = 25 livres / 11,3 kg - EMT 2.5 = 37 livres / 17,0 kg - EMT 4 = 52 livres / 23,7 kg - EMT 6 = 80 livres / 36,2 kg). Suspendez le chauffe-eau au support et tirez le chauffe-eau vers le bas afin que les deux « doigts » du support soient bien placés dans les encoches de fixation. Confirmez l'orientation de votre tuyauterie d'eau (chaude et froide) avant de procéder à la fixation murale. **INSTALLEZ UNIQUEMENT EN POSITION VERTICALE.**

Le chauffe-eau peut être posé sur le sol. Confirmez l'orientation de la tuyauterie d'eau avant de terminer l'installation au sol. **INSTALLEZ UNIQUEMENT EN POSITION VERTICALE ! Les modèles EMT peuvent être installés sous un évier.**

RACCORDEMENTS HYDRAULIQUES

Branchez le tuyau d'entrée d'eau froide au raccord d'entrée (portant une bague bleue) et le tuyau de sortie d'eau chaude au raccord de sortie (portant une bague rouge).

IMPORTANT : si les tuyaux d'eau sont en cuivre ou en bronze, utilisez des raccords diélectriques pour éviter la corrosion. La non-utilisation d'un isolant diélectrique peut entraîner une panne prématurée du réservoir ou du raccord et peut annuler votre garantie. Assurez-vous que le chauffe-eau est installé dans une position à niveau. Installez un robinet d'arrêt sur le côté eau froide du chauffe-eau. Ce robinet est utilisé pour les réparations et il doit être en position ouverte quand le chauffe-eau est en marche. Afin de protéger le chauffe-eau contre les dommages thermiques dus à une soudure, soudez un morceau de tube à un raccord UNION fileté avant de visser le raccord UNION au réservoir. **NE DIRIGEZ PAS LA CHALEUR DIRECTEMENT VERS LES RACCORDS D'ENTRÉE OU DE SORTIE.**

SOUPAPE DE SURPRESSION ET DE SECURITE THERMIQUE :

ATTENTION ! : Pour réduire tout risque de pressions et de températures excessives dans ce chauffe-eau, vous devez installer un équipement de protection contre les pressions et températures excessives au titre des règlements locaux, et au minimum une soupape de décharge type pression-température certifiée conforme aux exigences applicables de la norme ANSI Z21.22 sur les soupapes de sûreté et les dispositifs de fermeture automatique du gaz (« Relief Valves and Automatic Gas Shutoff Devices for Hot Water Supply Systems ») par un laboratoire national d'homologation d'équipements ou de matériaux désignés. En utilisant les tubes ou toute autre méthode d'installation, la soupape doit être orientée afin que son évacuation puisse sortir uniquement à 152,40 mm (6 pouces), ou toute autre distance inférieure, au-dessus du plancher porteur, et ne puisse pas entrer en contact avec un quelconque composant électrique.

Installez un tuyau d'évacuation partant de la soupape de surpression / sécurité thermique et se terminant dans un évier ou un écoulement. **NE RECOUVREZ PAS OU NE BOUCHEZ PAS L'EXTRÉMITÉ DU TUYAU D'ÉVACUATION. LE TUYAU D'ÉVACUATION NE DOIT PAS ÊTRE OBSTRUÉ ET SON DIAMÈTRE DOIT RESTER EN PLEINE GRANDEUR.**

La soupape S/S est certifiée par un laboratoire d'essai reconnu à l'échelle nationale, qui procède à des contrôles périodiques de l'équipement listé et répond aux exigences des soupapes de surpression et des dispositifs d'arrêt automatiques pour les systèmes d'alimentation en eau chaude ANSI Z21.22.

Une pression maximale est estampillée sur la soupape S/S. Cette pression maximale ne dépasse pas la pression de service maximale du chauffe-eau (150 PSI / 10,3 bars).

Installez la soupape S/S dans l'ouverture filetée au sommet du chauffe-eau et orientez le tuyau d'évacuation afin que toute évacuation de la soupape sorte dans les 6 pouces (15,2 cm) au-dessus, ou toute autre distance sous le plancher porteur, et ne puisse pas entrer en contact avec un composant électrique sous tension.

Le tuyau d'évacuation de la soupape S/S :

- 1. NE doit PAS avoir un diamètre plus petit que le diamètre de sortie de la soupape, ou avoir des raccords de réduction**
- 2. NE doit PAS être bouché ou obstrué.**
- 3. Doit être composé d'un matériau adapté à l'eau chaude.**
- 4. Ne doit pas avoir une longueur supérieure à 15 pieds (4,5 m).**
- 5. Ne doit pas avoir plus de deux coudes.**
- 6. Doit se terminer dans un écoulement approprié.**
- 7. Ne doit pas être doté d'un robinet d'arrêt entre la soupape de surpression et le réservoir ou la soupape de surpression et la terminaison d'évacuation.**

EXPANSION THERMIQUE EN CIRCUIT FERMÉ :

Une évacuation périodique de la soupape S/S ou une panne du joint peut être dû à une expansion thermique dans un système d'alimentation en circuit fermé. Le compteur du système d'alimentation en eau peut contenir un clapet de non-retour, une soupape anti-vidé ou un réducteur de pression d'eau qui créera un système d'eau fermé. Pendant le cycle de chauffe du chauffe-eau, l'eau chauffée subit une expansion, provoquant une augmentation de la pression à l'intérieur du chauffe-eau. La soupape S/S peut évacuer l'eau chaude dans ces conditions, ce qui entraîne une perte d'énergie et une accumulation du tartre sur le siège de la soupape. Pour éviter que cela ne se produise, voici deux conseils utiles :

- 1. Installez un vase d'expansion d'eau chaude domestique de type à membrane (adapté à l'eau potable) sur la conduite d'alimentation en eau froide. Le vase d'expansion doit avoir une capacité minimale de 1,5 gallons américains (5,7 litres) pour 50 gallons (19 litres) d'eau stockée.**
- 2. Installez une soupape de surpression de 125 PSI (8,6 bars) dans la conduite d'alimentation en eau froide. Assurez-vous que l'évacuation de cette soupape soit orientée vers un écoulement ouvert et protégée contre le gel. Contactez votre compagnie des eaux locale ou un inspecteur en plomberie pour obtenir des informations sur la méthode à employer pour contrôler cette situation. Ne bouchez jamais la sortie de la soupape de surpression.**

REPLISSAGE DU CHAUFFE-EAU

ATTENTION ! : Avant de brancher l'électricité, remplissez d'eau le réservoir et le système, et vérifiez l'absence de fuites. Assurez-vous que le système est complètement rempli d'eau et ENTièrement PURGÉ D'AIR.

Pour vérifier que la totalité de l'air a été expulsé du système, ouvrez les robinets d'eau chaude de vos éviers jusqu'à ce que l'eau s'écoule à un débit constant. Dans le cas contraire, tout air restant dans le réservoir provoquera une destruction automatique de l'élément chauffant du chauffe-eau.

Remplissage du chauffe-eau :

1. Ouvrez le robinet d'eau chaude.
2. Ouvrez le robinet d'alimentation en eau froide.
3. Quand le débit d'eau est constant à la sortie du robinet, le réservoir est plein.
4. Fermez le robinet d'eau chaude.
5. Vérifiez l'absence de fuite de la totalité du système.

UTILISATION DE L'AÉRATEUR (modèle EMT 1 uniquement)

Il est fortement conseillé d'utiliser l'aérateur avec le modèle EMT 1. Cet aérateur a pour objectif de limiter la quantité d'eau qui sort de l'EMT 1, ce qui permet au chauffe-eau de produire de l'eau chaude pendant une période plus longue. Si l'aérateur n'est pas utilisé, la capacité de 1,5 gallons (6 litres) du modèle EMT 1 sera rapidement épuisée.

BRANCHEMENTS ÉLECTRIQUES

Pour vous assurer que la totalité de l'air a été expulsé du chauffe-eau, ouvrez le robinet d'eau CHAUDE de vos éviers jusqu'à ce que l'eau s'écoule à un débit constant. Si un volume d'air est toujours présent dans le réservoir, l'élément chauffant sera endommagé quand le cordon électrique sera branché.

Branchez le chauffe-eau à une ALIMENTATION ELECTRIQUE DE TERRE.

Le chauffe-eau est équipé d'un cordon électrique qui doit être raccordé à une prise de terre pour 110-120 V c.a. Respectez tous les codes nationaux et locaux applicables. Installez le disjoncteur de taille correcte dans le tableau central. Le chauffe-eau EMT d'Eemax a été fabriqué et câblé conformément aux exigences UL.

Ce chauffe-eau est équipé d'un dispositif limitant la surchauffe avec réarmement manuel. Également dénommé limiteur de température, ce dispositif a été installé en usine pour couper l'alimentation électrique en cas de panne du thermostat.

Ce chauffe-eau est conçu UNIQUEMENT pour un réseau électrique de 110-120 V !!!!! NE LE BRANCHEZ PAS À UN SYSTÈME DONT LA TENSION EST SUPÉRIEURE OU INFÉRIEURE.

Si vous n'utilisez pas la tension correcte, des dommages corporels et/ou matériels peuvent survenir. Si le cordon électrique fourni est endommagé ou trop court, N'utilisez PAS une rallonge. Demandez à un électricien agréé de remplacer le cordon électrique.

INSTRUCTIONS D'UTILISATION

FÉLICITATIONS ! Vous êtes maintenant prêt à utiliser votre chauffe-eau. Faites couler l'eau chaude au niveau de l'évier le plus proche et évaluez la température de l'eau chaude. Réglez la température en vous aidant de la section ci-dessous :

RÉGLAGE DU THERMOSTAT :

Le chauffe-eau est équipé d'un thermostat réglable qui, une fois réglé, contrôlera automatiquement la température de l'eau. Le témoin indicateur rouge reste allumé pendant que l'eau est chauffée. Si l'eau présente dans le réservoir est à la température désirée, le témoin NE s'allume PAS.

Le bouton de réglage de la température permet d'augmenter la température en le tournant dans le sens horaire et de la diminuer en tournant dans le sens inverse. Consultez la photo ci-dessous.



Bouton de réglage de la température

Lorsqu'il n'est pas utilisé pendant une longue période, vous pouvez préserver l'énergie en baissant le réglage de la température de l'eau.

RÉGLAGE DE LA PROTECTION CONTRE LE GEL :

Lorsque le chauffe-eau n'est pas utilisé pendant une période prolongée et qu'il existe un risque de gel, débranchez et vidangez le chauffe-eau.

INSTRUCTIONS D'ENTRETIEN

Ne tentez pas de réparer vous-même ce chauffe-eau. Appelez un technicien (plombier ou électricien) pour obtenir de l'aide.

Débranchez toujours la connexion électrique quand l'eau est coupée ou lors d'une réparation ou d'une vidange du chauffe-eau.

Avant d'appeler pour une réparation, confirmez en premier lieu que le chauffe-eau est correctement rempli et que l'alimentation de 110 V c.a. n'a pas été coupée.

AVERTISSEMENT : avant une réparation ou un nettoyage du chauffe-eau, coupez l'ALIMENTATION ÉLECTRIQUE à l'aide du commutateur et débranchez la connexion électrique de l'alimentation électrique.

REMARQUE : le chauffe-eau doit être vidangé pour la plupart des opérations d'entretien. Dans tous les cas, avant la vidange, placez tout d'abord le commutateur d'ALIMENTATION en position d'arrêt, puis débranchez la connexion électrique.

VIDANGE ET DÉMONTAGE DU CHAUFFE-EAU :

1. Débranchez le chauffe-eau.
2. Ouvrez un robinet d'eau chaude pour laisser l'eau chaude s'écouler. Laissez l'eau s'écouler jusqu'à ce qu'elle ne soit plus chaude.
3. Coupez l'alimentation en eau froide vers le chauffe-eau.
4. Fermez le robinet d'eau chaude.
5. Débranchez le chauffe-eau à la fois des raccordements d'eau chaude et d'eau froide.
6. Si possible, siphonnez le reste de l'eau.
7. Détachez avec précaution le chauffe-eau du mur.
8. Inclinez le chauffe-eau pour évacuer l'eau résiduelle.

DÉMONTAGE DE L'ÉLÉMENT CHAUFFANT :

1. Coupez l'alimentation électrique, débranchez la connexion électrique du chauffe-eau et vidangez (voir ci-dessus).
2. Enlevez le couvercle.
3. Enlevez tous les fils de ligne de l'élément chauffant.
4. Dévissez les écrous de retenue de l'élément chauffant.
5. Retirez l'élément.

DÉTARTRAGE DE L'ÉLÉMENT CHAUFFANT :

Les dépôts de tartre peuvent affecter la capacité chauffante de l'élément. Une quantité de tartre importante peut même ruiner l'élément. L'élément chauffant peut être détartré de manière chimique ou manuelle.

1. Retirez l'élément chauffant (voir ci-dessus).
2. Pour un détartrage chimique, plongez l'élément chauffant dans du vinaigre blanc ou autre solution de détartrage, puis rincez bien à l'eau claire.
3. Pour un détartrage manuel, laissez l'élément sécher. Ensuite, à l'aide d'une brosse non métallique similaire à une brosse à dents, brossez les résidus présents sur l'élément. Évitez d'endommager la surface de l'élément.
4. Réinstallez l'élément et le joint.
5. Remplissez le réservoir d'eau avant d'activer l'alimentation électrique vers le chauffe-eau.

REPLACEMENT DE L'ÉLÉMENT CHAUFFANT :

1. Débranchez et vidangez le chauffe-eau (voir instructions précédentes).
2. Retirez l'élément chauffant en notant la position d'origine de tous les raccords.
3. Installez un élément neuf avec un joint, en vous assurant que le nouvel élément et le joint sont correctement positionnés.
4. Serrez les écrous de retenue et raccordez les fils à leurs emplacements d'origine.

REPLACEMENT DU THERMOSTAT :

1. Placez le commutateur d'alimentation en position d'arrêt et débranchez le chauffe-eau de l'alimentation électrique.
2. Vidangez et retirez le chauffe-eau. (voir page 48)
3. Enlevez le panneau inférieur.
4. Enlevez le bouton du thermostat et dévissez les deux vis de retenue. Il peut être nécessaire de faire levier sur le bouton pour le retirer de la tige du thermostat. Maintenant, enlevez le panneau avant.
5. Débranchez les connecteurs de fils pousser-tirer du thermostat en notant la position de chaque connecteur dans chaque borne. Les bornes sont marquées.
6. Retirez la sonde du thermostat de la cuve.
7. Installez un thermostat neuf, fixez les fils et serrez les vis.

RÉARMEMENT DU LIMITEUR DE TEMPÉRATURE :

Pour diverses raisons, le commutateur de sûreté qui limite la température coupera à l'occasion le chauffe-eau. Cet arrêt surviendra quand la température de l'eau dépassera 190°F (87,8°C). L'alimentation électrique vers l'élément chauffant est automatiquement coupée. Ce dispositif d'arrêt peut s'activer suite à une panne d'électricité ou une tempête électrique.

REMARQUE : ne tentez pas de réarmer le limiteur de température sans laisser tout d'abord le chauffe-eau refroidir l'eau à haute température qui se trouve dans le réservoir.

AVERTISSEMENT : ne tentez pas d'altérer le bouton de réarmement pour contourner l'arrêt en cas de surchauffe.

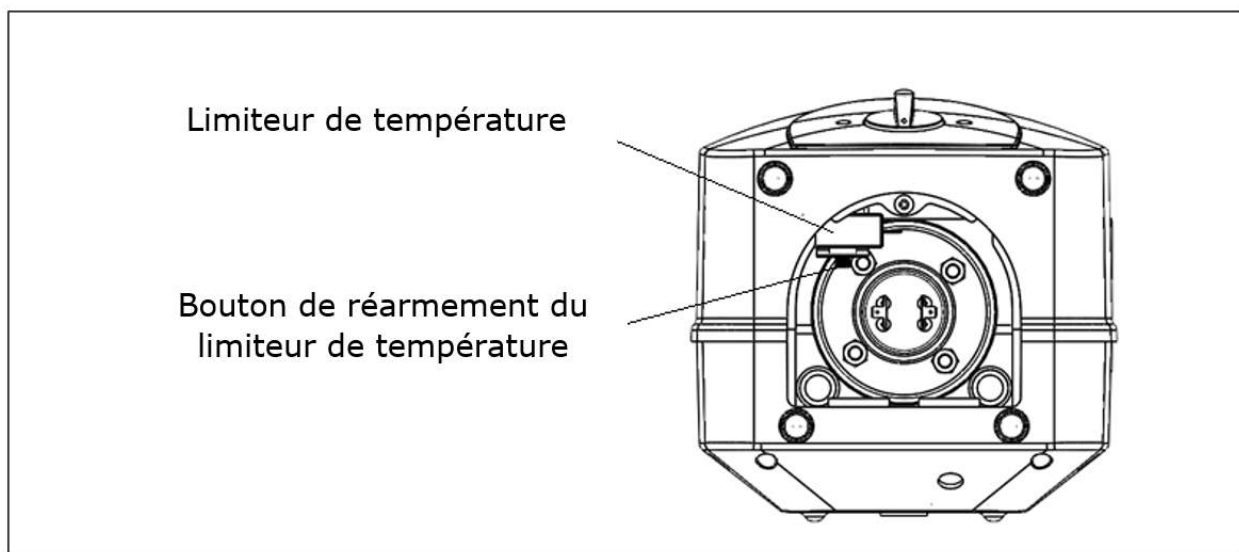
1. Placez le commutateur d'alimentation en position d'arrêt et débranchez le chauffe-eau de l'alimentation électrique.
2. Vidangez et retirez le chauffe-eau. (voir page 48)
3. Enlevez le panneau inférieur.

Repérez le bouton de réarmement du limiteur de température.

4. Appuyez sur le petit bouton rouge au centre de la boîte de jonction, remplacez le panneau inférieur et remettez le chauffe-eau en service.

REMARQUE : un réglage inférieur de la température permet d'économiser de l'énergie et de réduire le risque d'échaudage.

ATTENTION ! : appelez un technicien si le limiteur de température doit être réarmé fréquemment.



DÉPANNAGE

PROBLÈME : L'eau ne chauffe pas

1. Assurez-vous que l'alimentation est activée et opérationnelle.
2. Si le témoin ne s'allume pas, vérifiez que le bouton de réarmement est enfoncé ; suivez les étapes de la section précédente.
3. Si le témoin s'allume, mais que la température de l'eau n'augmente pas au niveau de l'évier, vérifiez si les tuyaux ne sont pas inversés en procédant comme suit : fermez l'alimentation en eau froide vers le chauffe-eau et ouvrez le robinet d'eau chaude. L'eau ne devrait pas s'écouler. Tout débit continu indique une inversion des tuyaux qui affectera la température et devra être corrigée.
4. En l'absence d'une inversion, remplacez alors l'élément chauffant (voir sections précédentes).

PROBLÈME : Le témoin ne s'allume pas

1. Si le témoin ne s'allume pas, mais que l'eau chauffe, vérifiez si l'ampoule du témoin est défectueuse.
2. Vérifiez le bouton de réarmement ; suivez les étapes de la section précédente.

PROBLÈME : Eau marron

1. Une eau marron ou de couleur rouille indique une tige d'anode usée. Remplacez la tige d'anode.

PROBLÈME : Eau malodorante

1. Une eau malodorante peut être due à une réaction inhabituelle entre l'eau locale et la tige d'anode du chauffe-eau. Vérifiez la tige d'anode.

PROBLÈME : L'eau est trop chaude

1. Tournez le bouton de la température en sens horaire inverse, sur un réglage plus bas. Si la température ne descend pas dans les 60 minutes, remplacez le thermostat.

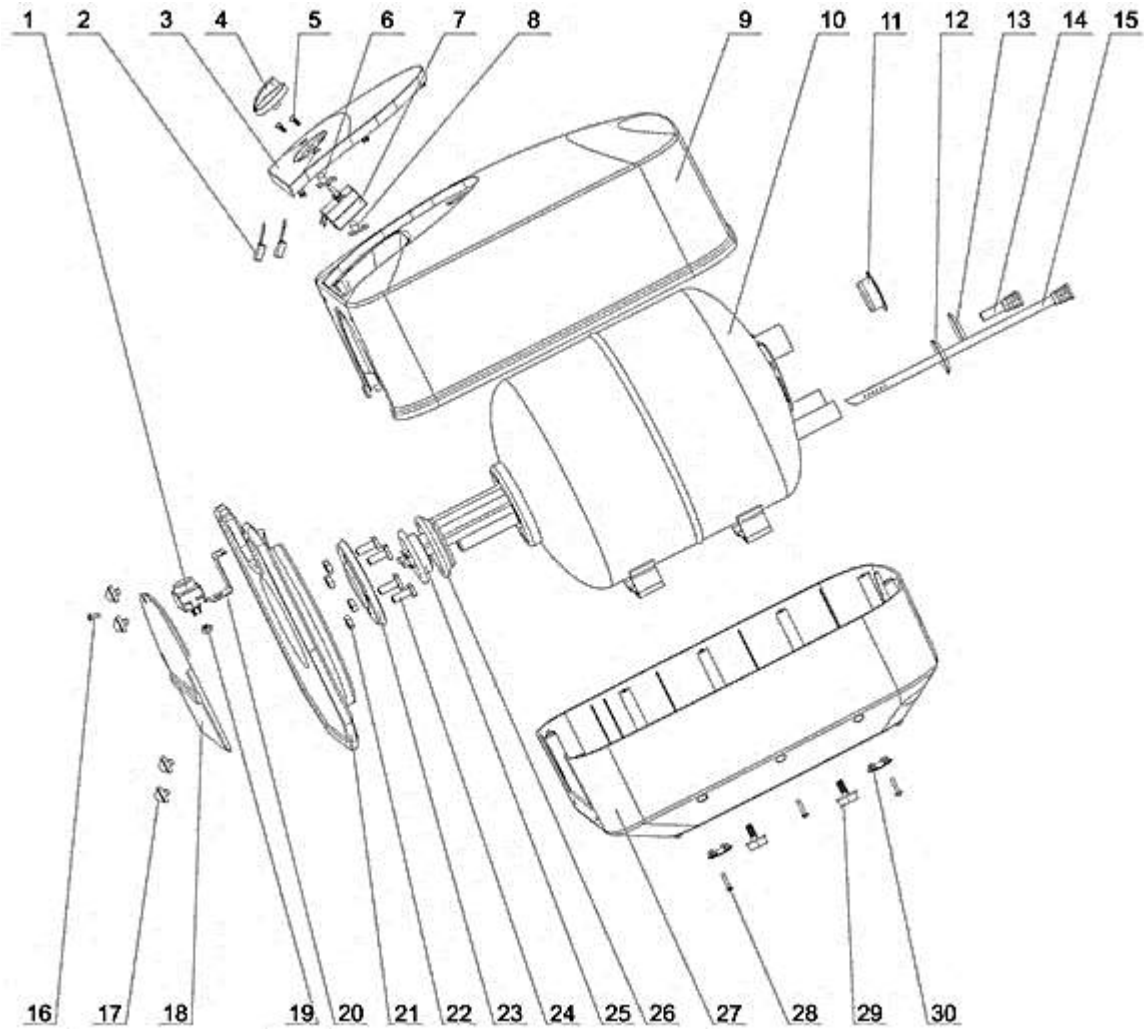
PROBLÈME : L'eau n'est pas assez chaude

1. Dans les instructions d'utilisation, consultez la section « Réglage du thermostat ».

PROBLÈME : L'eau fuit

1. Placez le commutateur d'alimentation en position d'arrêt et débranchez le chauffe-eau de l'alimentation électrique de 110 V c.a.
2. Vérifiez les raccords d'eau et le raccord S/S au sommet du réservoir.
3. Retirez le couvercle et inspectez le joint de l'élément chauffant.

Vue éclatée EMT 1 - EMT 2.5 - EMT 4 - EMT 6



Liste des composants EMT 1 - EMT 2.5 - EMT 4 - EMT 6

NO.	Name of part	Qty
1	temperature limiter	1
2	internal wire components	1
3	decoration panel	1
4	knob of temperature	1
5	Cross nut	2
6	red lamp with PCB	1
7	thermostat	1
8	green lamp with PCB	1
9	top cover	1
10	inner tank components	1
11	yellow liner bushing of pipe	1
12	blue liner bushing of pipe	1
13	red liner bushing of pipe	1
14	outlet pipe components	1
15	inlet pipe components	1

NO.	Name of part	Qty
16	Cross countersunk bolt	1
17	foot pads of water heater	4
18	maintainence cover	1
19	bolt of temperature limiter	1
20	bracket of temperature limiter	1
21	inner foam (bottom)	1
22	bolt M8	
23	flange cover	1
24	Square head bolt	
25	heating element	1
26	Sealing ring of heating element	1
27	bottom cover	1
28	angle bolt	11
29	External 6 angles bolt	2
30	foaming plug	2

Informations sur la garantie limitée – Mini chauffe-eau électrique Eemax

Sous réserve des conditions établies dans la présente garantie limitée, chaque mini chauffe-eau électrique Eemax est garanti au propriétaire d'origine (le « Propriétaire ») contre (i) toute panne mécanique ou électrique d'un composant qui est due uniquement à un défaut de pièces ou de main d'œuvre du Fabricant pendant une période de deux (2) ans à compter de la date d'achat d'origine et contre (ii) les fuites dues uniquement aux défauts de pièces et de main d'œuvre du Fabricant (x) pendant une période de cinq (5) ans à compter de la date d'achat d'origine ou, si elle est postérieure, (y) depuis la date d'entrée du Propriétaire dans un nouveau logement dans lequel le mini chauffe-eau Eemax est installé. Toutefois, si le Propriétaire est incapable de prouver la date d'achat d'origine grâce à la facture d'origine, alors la période de la garantie limitée commencera à la date de fabrication du mini chauffe-eau Eemax. Comme seul et unique recours du Propriétaire, le Fabricant réparera ou remplacera, à son entière discrétion, le mini chauffe-eau Eemax ou la partie défectueuse de ce produit. Le Fabricant n'est pas redevable des coûts supportés par le Propriétaire, notamment, sans s'y limiter, les coûts de main d'œuvre. La responsabilité maximale du Fabricant est limitée à la valeur du chauffe-eau. Cette garantie limitée est régie par le droit des États-Unis.

LA PRÉSENTE GARANTIE LIMITÉE EST LA GARANTIE EXCLUSIVE QUE LE FABRICANT ACCORDE ET ELLE REMPLACE TOUTES LES AUTRES GARANTIES STATUTAIRES, EXPRESSES OU IMPLICITES (QU'ELLES SOIENT ÉCRITES OU VERBALES), Y COMPRIS, SANS S'Y LIMITER, LES GARANTIES DE QUALITÉ MARCHANDE ET D'ADÉQUATION À UN USAGE PARTICULIER. LE FABRICANT REJETTE EXPRESSÉMENT LES GARANTIES IMPLICITES DE QUALITÉ MARCHANDE ET D'ADÉQUATION À UN USAGE PARTICULIER. LA RÉPARATION OU LE REMPLACEMENT DU PRODUIT EST LE SEUL ET UNIQUE RECOURS DU PROPRIÉTAIRE, TEL QUE PRÉVU DANS LA PRÉSENTE GARANTIE LIMITÉE, ET TOUTE AUTRE DEMANDE DE DOMMAGES-INTÉRÊTS EST EXCLUE.

LES RECOURS ÉTABLIS DANS LA PRÉSENTE GARANTIE LIMITÉE SONT LES SEULS RECOURS DONT DISPOSE LE PROPRIÉTAIRE OU TOUTE PERSONNE CONCERNANT UN MANQUEMENT À UN ENGAGEMENT, UN DEVOIR OU UNE OBLIGATION DE LA PART DU FABRICANT. LE FABRICANT N'EST PAS RESPONSABLE ENVERS LE PROPRIÉTAIRE OU TOUTE TIERCE PARTIE DE TOUTE PERTE OU TOUS DOMMAGES CORPORELS OU MATÉRIELS DÉCOULANT DIRECTEMENT OU INDIRECTEMENT DU MINI CHAUFFE-EAU EEMAX. LE FABRICANT N'EST EN AUCUN CAS RESPONSABLE ENVERS LE PROPRIÉTAIRE OU TOUTE TIERCE PARTIE DES DOMMAGES ACCESSOIRES, CONSÉCUTIFS, PARTICULIERS, ÉVENTUELS OU PUNITIFS QUELS QU'ILS SOIENT, QU'UNE TELLE REVENDICATION REPOSE SUR UNE GARANTIE, UN CONTRAT, UNE NÉGLIGENCE, UNE RESPONSABILITÉ STRICTE OU AUTRE DÉLIT OU AUTRE.

CERTAINS ÉTATS INTERDISENT D'EXCLURE OU DE LIMITER LES DOMMAGES ACCESSOIRES OU CONSÉCUTIFS. IL EST DONC POSSIBLE QUE LA LIMITE OU L'EXCLUSION CI-DESSUS NE S'APPLIQUE PAS AU PROPRIÉTAIRE. DANS CE CAS, LA GARANTIE EST LIMITÉE À UN AN À COMPTER DE LA DATE D'ACHAT D'ORIGINE OU DE LA DATE DE FABRICATION, TEL QUE PRÉVU DANS LA PRÉSENTE GARANTIE LIMITÉE, OU LA PÉRIODE LA PLUS COURTE AUTORISÉE PAR LA LOI. LA PRÉSENTE GARANTIE CONFÈRE AU PROPRIÉTAIRE DES DROITS LÉGAUX SPÉCIFIQUES ET LE PROPRIÉTAIRE PEUT ÉGALEMENT AVOIR D'AUTRES DROITS QUI PEUVENT VARIER D'UN ÉTAT À L'AUTRE.

Exclusions de cette garantie limitée

1. Le fabricant n'est pas responsable de tout dégât des eaux ou autres dommages découlant, directement ou indirectement, d'un défaut d'un ou plusieurs composants du mini chauffe-eau Eemax ou de son utilisation.
2. Le fabricant n'est pas responsable au titre de cette garantie limitée ou autrement si :
 - a. Le chauffe-eau ou l'un de ses composants a fait l'objet d'une mauvaise utilisation, d'une altération, d'une négligence ou d'un accident ; ou
 - b. Le chauffe-eau n'a pas été installé conformément au(x) règle(s) et/ou au(x) code(s) local(aux) sur la plomberie et/ou la construction ; ou
 - c. Le chauffe-eau n'a pas été installé ou entretenu en accord avec les instructions imprimées du fabricant ou il a été installé en étant mal orienté, avec des fixations incorrectes, en utilisant mal la pâte d'étanchéité / mastic de plomberie ou en utilisant un produit d'étanchéité non approuvé par le fabricant ; ou
 - d. Le chauffe-eau n'a pas été alimenté en continu en eau potable ou la température d'entrée de l'eau est supérieure à la température maximale recommandée par le fabricant ; ou
 - e. Le chauffe-eau a fait l'objet d'interruptions de pression ou de débit d'eau ; la pression normale de l'eau d'entrée est en dehors des caractéristiques publiées du chauffe-eau ; il est exposé à une condition qui provoque l'allumage du chauffe-eau avant que l'air ne soit purgé du chauffe-eau, phénomène également dénommé allumage à vide ; ou
 - f. Le chauffe-eau a été exposé à certaines conditions découlant d'une inondation, d'un tremblement de terre, d'une tempête, d'un incendie, du gel, de la foudre ou des circonstances en dehors du contrôle du Fabricant ; ou
 - g. Le chauffe-eau a été retiré de son emplacement d'installation d'origine ; ou
 - h. Le chauffe-eau a été utilisé à des fins autres que son usage prévu.
3. Il incombe au Propriétaire, et non au Fabricant ou à son agent / représentant, de payer la totalité des coûts de main d'œuvre sur le terrain ou autres dépenses supportées lors de l'enlèvement et/ou la réparation du chauffe-eau, ou toute autre dépense supportée par le Propriétaire pour réparer le chauffe-eau.

Sous réserve des conditions établies dans la présente garantie, si le mini chauffe-eau Eemax tombe en panne ou fuit à cause d'un défaut de pièces ou de main d'œuvre du Fabricant pendant la période de garantie applicable établie ci-dessus, le Propriétaire doit contacter le Fabricant pour obtenir un numéro d'autorisation de retour de marchandise (ARM). Aucun retour ne sera accepté par le Fabricant s'il n'est pas accompagné d'un numéro ARM et le Fabricant n'assume aucune responsabilité concernant un chauffe-eau retourné sans numéro ARM. Les chauffe-eau doivent être enroulés et emballés correctement pour éviter tout dommage pendant l'expédition. Toutes les pièces envoyées par le Fabricant au Propriétaire pour remplacer des composants défectueux doivent être expédiées par transport terrestre normal. Si une expédition accélérée est demandée, elle sera fournie aux frais du Propriétaire.

Eemax Inc.
400 Captain Neville Drive
Waterbury, CT 06705



Toll free : 800 543 6163
Fax : 203 267 7975
www.eemax.com
email : info@eemaxinc.com

EX07200-43 Rev A 7/29/2014